

**MMWR**<sup>TM</sup>  
**MORBIDITY AND MORTALITY  
WEEKLY REPORT**

- 309** Workers' Memorial Day — April 28, 2001  
**309** Baler and Compactor-Related Deaths in the Workplace — United States, 1992–2000  
**313** Nonfatal Occupational Injuries and Illnesses Treated in Hospital Emergency Departments — United States, 1998  
**317** Fatal Occupational Injuries — United States, 1980–1997  
**320** Progress Toward Global Poliomyelitis Eradication, 2000

**Workers' Memorial Day — April 28, 2001**

Workers' Memorial Day, April 28, 2001, is a designated time to remember workers who have died from work-related injuries or illnesses. Although there have been substantial improvements in occupational health and safety (1), work-related injuries and deaths continue to be a major public health concern. During 1980–1997, 103,945 workers died from work-related injuries, an average of 16 deaths per day. In 1999, the most recent year for which data are available, economic costs of fatal and nonfatal unintentional work-related injuries were an estimated \$122.6 billion (2).

This year, the date also marks the 30th anniversary of the Occupational Safety and Health Act and the establishment of the Occupational Safety and Health Administration and CDC's National Institute for Occupational Safety and Health (NIOSH). NIOSH was established to conduct research and make recommendations to prevent work-related injuries, illnesses, and deaths.

Additional information on causes and prevention of work-related injury and illness is available from CDC, telephone (800) 356-4674 or at <http://www.cdc.gov/niosh/homepage.html>.

*References*

1. CDC. Improvements in workplace safety—United States, 1900–1999. *MMWR* 1999;48:461–9.
2. National Safety Council. Injury facts, 2000 edition. Itasca, Illinois: National Safety Council, 2000.

**Baler and Compactor-Related Deaths in the Workplace —  
United States, 1992–2000**

Equipment that compacts and bales loose solid waste materials into denser, more easily transported units is common in refuse disposal and recycling and is used routinely at recycling centers, manufacturing facilities, and retail and wholesale stores to compress paper, textiles, metals, plastic, and other material\*. Persons operating balers and compactors can become caught by the powered rams of the compression chambers while using these machines. Risk factors resulting from these incidents have been identified through surveillance findings and results of investigations conducted by CDC's National Institute for Occupational Safety and Health (NIOSH) Fatality Assessment and

\*This report considers only stationary machines.

*Baler and Compactor — Continued*

Control Evaluation (FACE) program<sup>†</sup> and the Bureau of Labor Statistics Census of Fatal Occupational Injuries (CFOI)<sup>§</sup>, a nationwide multisource reporting system for occupational deaths. This report describes the results of two baler and compactor-related investigations conducted during 1992–2000, summarizes surveillance data from 1992 through 1998, which indicated that some employers and workers may have been unaware of the hazards of operating or working near compacting and baling equipment, and suggests safety recommendations for preventing future incidents.

**Case Reports**

**Case 1.** In July 2000, a 16-year-old produce market worker died from crushing injuries when he was caught in the vertical downstroke baler (Figure 1) he was operating. He was working alone in the market's basement and was using the baler to crush cardboard boxes when he was caught by the machine's ram. Investigations determined that the machine's safety interlock<sup>¶</sup> had been bypassed, allowing the machine to operate with the loading door open. The worker may have reached into the compression chamber while the machine was operating and was caught by the ram during its downstroke.

**Case 2.** In May 1997, a 34-year-old paper products worker died after falling into an operating baler. The worker and a co-worker were loading scrap paper into the baler through a belt conveyor when the material jammed in the baler's feed chute (Figure 1). The co-worker shut down the conveyor but not the baler's automatic controls, and the worker ascended to a platform between the end of the conveyor and the feed chute. When he leaned over the platform rail to clear the jam, he fell through the feed chute and into the compression chamber. His presence tripped the automatic control sensor, and the baler's ram was activated.

**Surveillance Data**

CFOI identified 34 deaths related to compactors and balers during 1992–1998; 29 (85%) occurred when a worker was caught or crushed by the compacting ram of the machine. Decedents were age 17–72 years (median: 37 years): six were <25 years, 10 were 25–34 years, nine were 35–44 years, and nine were ≥45 years. Twelve worked in the wholesale trade industry; nine in manufacturing; eight in transportation/communications/public utilities; and the remainder in retail and services industries. Six deaths occurred during the processing of cardboard; five workers were processing paper; five were processing trash; and five were processing cans, scrap metal, cotton, or plastic wrap. For eight deaths, the material being processed was not specified.

During 1992–2000, FACE received 19 reports of baler and compactor-related deaths from 13 states (four in Missouri, three in New Jersey, two in Massachusetts, and one each in California, Colorado, Iowa, Nebraska, New York, North Carolina, South Carolina,

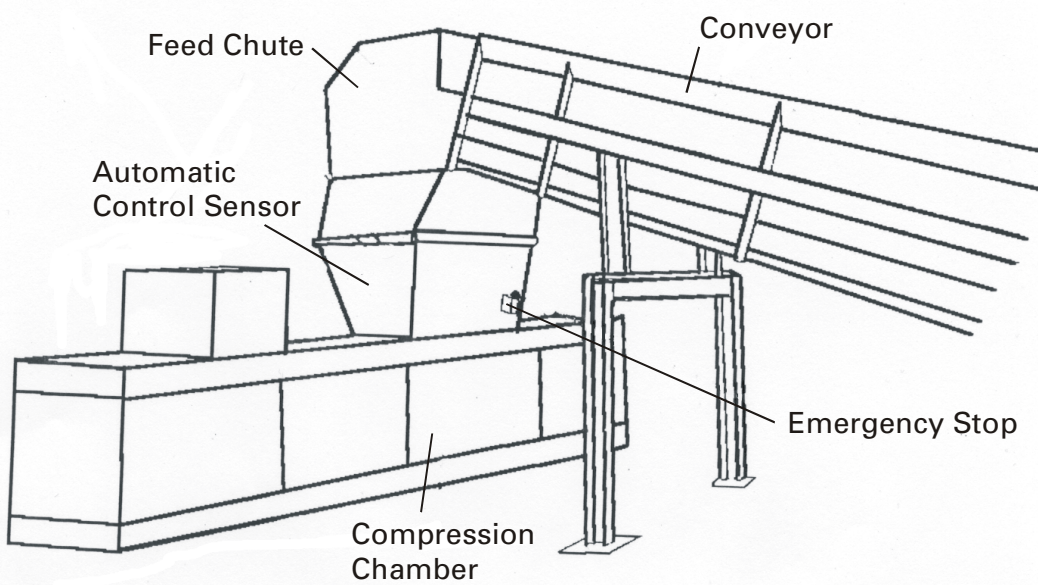
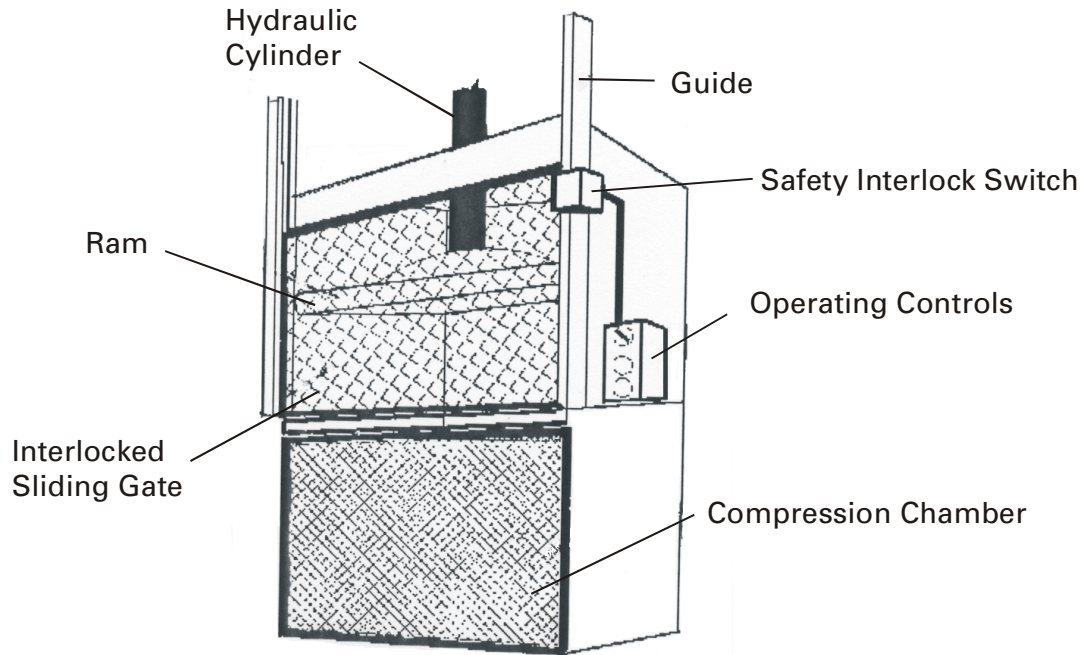
<sup>†</sup> FACE conducts fatality investigations of selected categories of cases, including machinery-related incidents, and disseminates injury prevention information. Through a series of cooperative agreements with NIOSH, 15 states maintain multisource surveillance networks to identify all traumatic occupational deaths, conduct site investigations, and disseminate prevention information.

<sup>§</sup> CFOI is a multisource (e.g., death certificates, medical examiner/coroner reports, workers' compensation reports, and police reports) reporting system for occupational deaths implemented nationwide by the Bureau of Labor Statistics in 1992.

<sup>¶</sup> A device or mechanism used to connect individual components so that the action of one part of the equipment is constrained by or dependent on another (1,2); in general, the purpose of an interlock is to prevent or interrupt the operation of machine components under specified conditions, usually when a hazard is present. As applied to balers and compactors, the interlock prevents or interrupts movement of the compacting ram if the machine's access doors are opened while the machine is energized or in motion.

*Baler and Compactor — Continued*

**FIGURE 1. Diagram of a stationary vertical downstroke compactor/baler and a horizontal baler and conveyor**



*Baler and Compactor — Continued*

Tennessee, Texas, and Washington). All 19 were men, aged 16–52 years (median: 36 years), who sustained crushing or amputation injuries from the compacting ram after they reached into or entered the compression chamber of an operating machine. Injury-related activities were identified through case reports; reaching or falling into the compression chamber injured 12 persons, the presence of the worker in the compression chamber automatically activating the ram injured six, clearing jammed material from an operating machine injured five, co-workers activating the ram without knowing that the worker was inside the compression chamber injured three, and attempting to retrieve unbalable material from an operating machine injured two; some incidents involved more than one factor.

Field investigations that identified injury risks were conducted for 11 incidents. Nine involved failure to implement effective power supply shutdown and ram pressure dissipation procedures, six involved failure to follow standard procedures for clearing material jams, six involved attempting to clear material jams without shutting down the machine's automatic controls, five involved operating machines with bypassed or defective safety interlocks, and three involved workers' operating a machine without determining the location of co-workers.

*Reported by: Fatality Assessment and Control Evaluation Program, Div of Safety Research, National Institute for Occupational Safety and Health, CDC.*

**Editorial Note:** Baling and compacting equipment is built in various sizes and configurations; however, whether the machine is a compactor or a baler, workers are exposed to similar injury risks. Both types of machines compress refuse material through the action of a powered ram that moves vertically or horizontally into and through a compression chamber. Using tons of pressure, the ram compresses the chamber contents into a small, dense unit. Balers compress and bind the material using wire or twine, and compactors compress the material into a container that is stored for later transport. Recently manufactured machines conform to American National Standards Institute specifications such as point-of-operation guards to prevent injury associated with reaching into an operating machine and interlocked control systems to interrupt or reverse the ram's motion when the compression chamber doors are opened (1,2). However, some older machines may not have guards and interlocks.

Automatically controlled machines operate when the control system senses the presence of sufficient material to be compressed. Because ram motion may not have started or may have ceased during a jam, workers may not recognize that the machine is operational and the ram could activate inadvertently unless the power supply is disconnected and the ram pressure is dissipated. Employers may not recognize the need to standardize jam clearing procedures to include both power supply shutdown and ram pressure dissipation procedures.

The findings in this report are subject to at least five limitations. First, because of the variety of industries and circumstances in which these machines were used and the limits of surveillance for fatal injuries, this report may underestimate the number of compactor- and baler-related deaths. Second, the FACE state component receives reports of work-related deaths from only 15 states. Third, because of limited injury descriptions in CFOI compared with FACE descriptions, the exact circumstances of injury often cannot be determined. Fourth, deaths identified by FACE from 1992 through 1998 probably were included in CFOI although not necessarily identified as baler- or compactor-related; therefore, FACE and CFOI cases overlap. Finally, the number of reported cases was small, thus limiting generalizability.

*Baler and Compactor — Continued*

On the basis of information collected from FACE investigations, the following measures are recommended to reduce the risk for worker injury in compactors and balers: 1) employers should train workers to recognize the hazards of operating or working near balers and compactors; 2) before jams are cleared, authorized employees should verify that the machine's electrical power has been disconnected, the disconnecting device has been locked and tagged, and the ram pressure has been dissipated (3); employers should implement appropriate power supply shutdown procedures whenever repair or maintenance is needed (4); 3) employers should implement standard procedures for managing common events such as material jams; 4) balers and compactors should be equipped with machine guards and safety interlocks to prevent worker injury and interlocks should be designed so that they cannot be bypassed; and 5) employers should require machine operators to account for the location of co-workers before activating compactor or baler rams.

*References*

1. American National Standards Institute. American national standard for equipment technology and operations for wastes and recyclable materials: baling equipment safety requirements. New York, New York: American National Standards Institute, 1997; publication no. ANSI Z245.5.
2. American National Standards Institute. American national standard for equipment technology and operations for wastes and recyclable materials: stationary compactors safety requirements. New York, New York: American National Standards Institute, 1997; publication no. ANSI Z245.2.
3. National Institute for Occupational Safety and Health. Control of scrap paper baler crushing hazards. Cincinnati, Ohio: US Department of Health and Human Services, Public Health Service, CDC, 1997; DHHS publication no. (NIOSH)97-107.
4. National Institute for Occupational Safety and Health. Preventing worker deaths from uncontrolled release of electrical, mechanical, and other types of hazardous energy. Cincinnati, Ohio: US Department of Health and Human Services, Public Health Service, CDC, 1999; DHHS publication no. (NIOSH)99-110.

### **Nonfatal Occupational Injuries and Illnesses Treated in Hospital Emergency Departments — United States, 1998**

The National Electronic Injury Surveillance System (NEISS) includes data about non-fatal occupational injuries and illnesses treated in U.S. hospital emergency departments (EDs). This report summarizes 1998 injury and illness estimates based on NEISS, which indicate that the magnitude and patterns of nonfatal occupational injuries and illnesses were comparable to estimates reported for 1996 (1). Younger workers continue to have the highest rates of work-related injuries and illnesses; therefore, interventions should address the health and safety needs of young workers, most of whom lack substantial experience in the work place.

In 1998, NEISS identified approximately 47,000 work-related injuries and illnesses treated in 67 EDs derived from a national stratified probability sample of all U.S. hospitals with a minimum of six beds and a 24-hour ED.\* The NEISS sampling frame for work-related ED visits was updated in October 1997 based on the 1995 listing of U.S. hospitals with EDs. As a result, compared with earlier reports, the updated hospital sample had

\* Through a collaboration between NIOSH and the U.S. Consumer Product Safety Commission (CPSC), work-related injury and illness information was collected without limitations by age, consumer product involvement, or type of injury event at two thirds of the 101 NEISS hospitals used by CPSC for the collection of product-related injuries.

*Nonfatal Occupational Injuries — Continued*

changes in the makeup of hospitals within each size stratum in the sample and the statistical weights for cases, which are used to extrapolate to national estimates (1).

Work-related ED visits for injury or illness were identified from admissions information and ED chart review. A work-related case was defined as any injury or illness incurred by a civilian worker while working for compensation, arriving or leaving work but on the employers' premises, during transportation between locations as a part of the job (excluding commuting to or from home), doing agricultural production activities, or working as a volunteer for an organized group (e.g., volunteer fire department) (2). Military injuries, common illness cases (e.g., colds or viruses), routine drug and alcohol screening, and revisits to an ED for a previously treated injury or illness were excluded.

Employment estimates, used to calculate injury rates, were 12-month averages for 1998 Current Population Survey (CPS) data based on full-time equivalent (FTE) workers (1 FTE=2000 hours per year) (3). CPS is a monthly household survey of the U.S. civilian, noninstitutionalized population aged  $\geq 15$  years that includes wage and salary workers, self-employed workers, part-time workers, and unpaid workers who worked  $\geq 15$  hours a week in family-operated enterprises, but excludes volunteers for organized groups. However, cases involving volunteer workers were not removed from the injury/illness estimates or rate estimates presented in this report because of difficulties in identifying these workers in the NEISS database. Injuries and illnesses to workers aged  $\leq 14$  years (0.1% of total) were included in the total injury/illness estimates but were excluded from injury/illness estimates in the rate calculations because employment data for this age group were not available.

In 1998, an estimated 3,600,000 (95% confidence interval [CI]= $\pm 600,000$ ) occupational injuries and illnesses to workers of all ages were treated in EDs. The overall occupational injury and illness rate was 2.9 (95% CI= $\pm 0.5$ ) per 100 FTE workers aged  $\geq 15$  years. The injury and illness rate for males (3.4; 95% CI= $\pm 0.6$ ) was 1.6 times the rate for females (2.1; 95% CI= $\pm 0.3$ ). The rate was highest for younger workers and decreased with increasing age (Figure 1).

Workers aged 15–17 years had a particularly high rate of burns, ranging from two- to 10-fold higher than that for older workers (Figure 2). Burns and lacerations accounted for one half of injuries to workers aged  $< 20$  years and approximately one fourth to one third of injuries to workers aged  $\geq 20$  years.

In 1998, approximately 70% of injuries resulted in lacerations, punctures, amputations, and avulsions (27%); sprains and strains (25%); and contusions, abrasions, and hematomas (21%). Hands and fingers, the most commonly injured body parts (30%), were treated almost twice as frequently in EDs as injuries to other anatomic groups: trunk, back, and groin (18%); head and neck (17%); lower extremities (17%); and upper extremities (excluding hands and fingers) (15%).

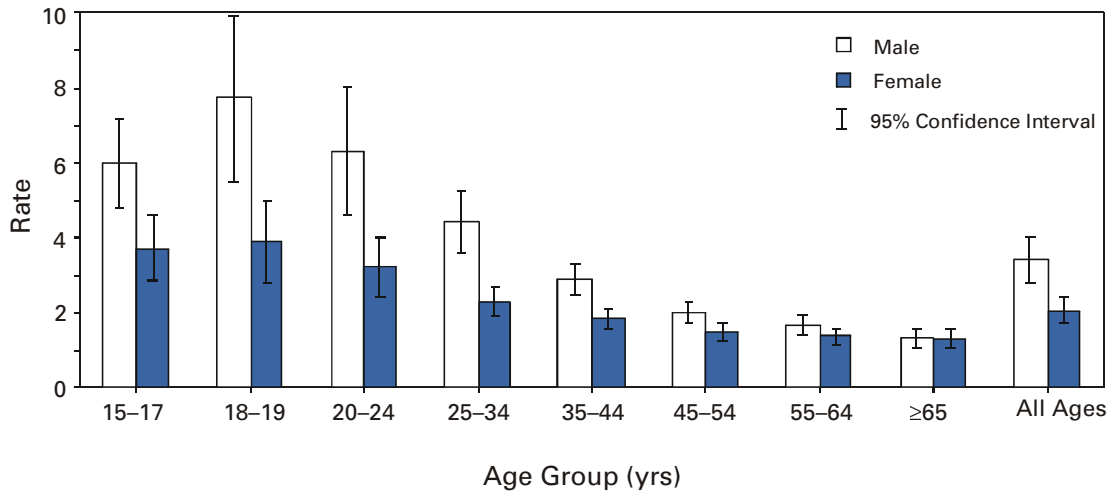
Nearly all of the estimated 3.6 million work-related injuries and illnesses were treated in EDs and released. Approximately 60,000 (95% CI= $\pm 16,000$ ) of these injuries/illnesses resulted in hospitalization, and an additional 18,000 (95% CI= $\pm 5,000$ ) were transferred from the ED to another medical facility. Of hospitalized patients, 85% were males. The highest proportion of hospitalizations (35%) were the result of fractures and dislocations.

*Reported by: Div of Safety Research, National Institute for Occupational Safety and Health, CDC.*

**Editorial Note:** The findings in this report indicate that the number and distribution of work-related injuries/illnesses treated in an ED and the injury/illness rates, overall and by sex, were approximately equal for 1996 and 1998. These trends continue to be

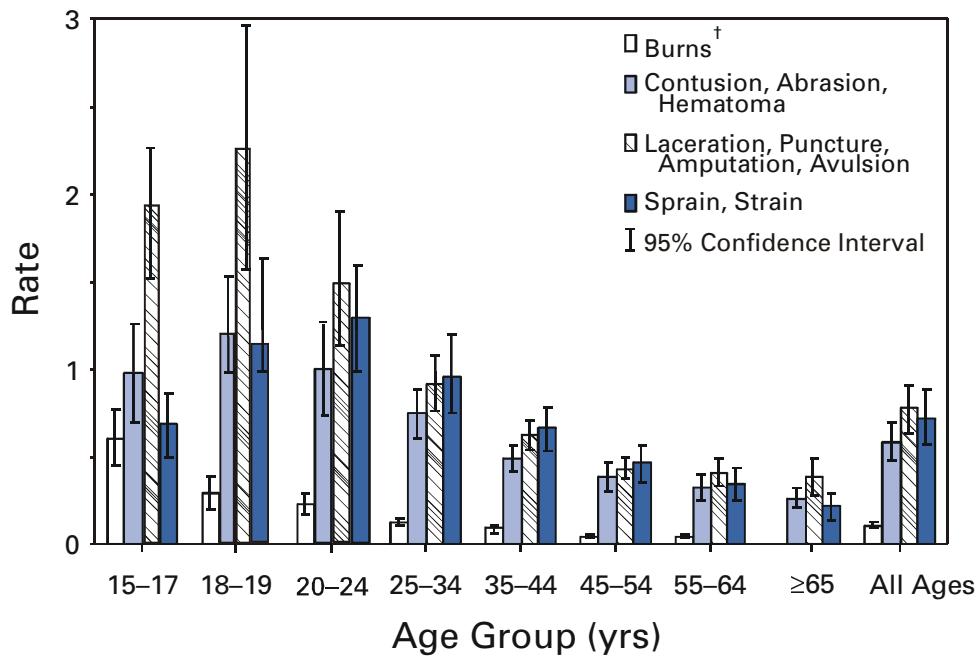
Nonfatal Occupational Injuries — Continued

**FIGURE 1. Estimated rates\* of nonfatal occupational injuries and illnesses treated in hospital emergency departments, by sex and age group of worker — United States, 1998**



\*Per 100 full-time equivalents.

**FIGURE 2. Estimated rates\* of nonfatal occupational injuries and illnesses treated in hospital emergency departments, by selected diagnoses and age group of worker — United States, 1998**



\*Per 100 full-time equivalents.

<sup>†</sup> The rate of burns to workers aged ≥65 years did not meet minimum reporting requirements.

*Nonfatal Occupational Injuries — Continued*

consistent with general patterns observed in the earliest NEISS-based national estimates of ED-treated nonfatal work-related injuries/illnesses reported for 1982 (4).

The 1996 NEISS injury estimates were based on a hospital sampling frame that used the 1985 listing of U.S. hospitals. Because of the 1997 sampling frame update and changes in procedures for correcting hospital underreporting, the previously reported estimate for 1996 of 3.3 million injuries (1) is now crudely estimated to be approximately 4% lower (3.2 million) (NIOSH and the Consumer Product Safety Commission, unpublished data, 2000). Proportional distributions for 1996 are influenced minimally by the sampling and weighting factors and are more directly comparable to 1998 estimates.

The Bureau of Labor Statistics (BLS) reported approximately 5.9 million nonfatal occupational injuries and illnesses in 1998, with an incidence rate of 6.7 injuries/illnesses per 100 FTE workers for private industry (5). BLS excludes the self-employed, small farms, and government employees, restrictions that do not apply to the NEISS work-related injury estimates. However, NEISS estimates are restricted to ED-treated injuries and illnesses; BLS includes workplace injuries and illnesses treated in any health-care venue. If 1998 patterns of medical treatment are similar to those determined from the 1988 National Health Interview Survey (NHIS) Occupational Supplement (1), then the 3.6 million ED-treated injuries/illnesses in NEISS represent approximately one third (34%; 95% CI=±5%<sup>†</sup>) of all U.S. work-related injuries/illnesses that required medical treatment or resulted in lost work time of more than 1 day in 1998. By crude extrapolation, approximately 10 million occupational injuries and illnesses in 1998 is probably a more comprehensive figure for the overall injury/illness burden of U.S. workers.

Workers aged 15–17 years had an injury/illness rate of 4.9 per 100 FTE in 1998. Most of these injuries in younger workers were probably related to the high proportion of youth working in services and retail trades, particularly eating establishments (6,7). Teenagers are at particularly high risk for injuries because they frequently lack substantial work experience, safety training, and appreciation for their workplace injury risk. One of the national health objectives for 2010 is to reduce the adolescent occupational injury rate to no more than 3.4 per 100 FTE workers aged 16–17 years (objective 20-2h) (8). Effective strategies to address workplace safety issues for youth, such as those developed in community-based young worker projects in California and Massachusetts (9), must be implemented to meet the objective.

*References*

1. CDC. Surveillance for nonfatal occupational injuries treated in hospital emergency departments—United States, 1996. *MMWR* 1998;47:302–6.
2. Jenkins EL, Kisner SM, Fosbroke DE, et al. Fatal injuries to workers in the United States, 1980–1989: a decade of surveillance, national profile. Washington, DC: US Department of Health and Human Services, 1993.
3. Bureau of Labor Statistics. Current Population Survey microdata files for 1998. Washington, DC: US Department of Labor, Bureau of Labor Statistics, 1999.
4. Coleman PJ, Sanderson LM. Surveillance of occupational injuries treated in hospital emergency rooms—United States, 1982. *MMWR* 1983;32(no. S-2).
5. Bureau of Labor Statistic. Survey of occupational injuries and illnesses, 1998. Washington, DC: US Department of Labor, Bureau of Labor Statistics, 2000.

<sup>†</sup> Percentage of the 3.1 million occupational injuries estimated for 1988 that received initial medical treatment in an ED. The 2000 NHIS is expected to provide a more up-to-date estimate of ED use for occupational injuries and may indicate that use of different medical venues has changed substantially since the 1988 survey.



*Nonfatal Occupational Injuries — Continued*

6. Hendricks KJ, Layne LA. Adolescent occupational injuries in fast food restaurants: an examination of the problem from a national perspective. *J Occup Environ Med* 1999;41:1146–53.
7. Layne LA, Castillo DN, Stout N, Cutlip P. Adolescent occupational injuries requiring hospital emergency department treatment: a nationally representative sample. *Am J Public Health* 1994;84:657–60.
8. US Department of Health and Human Services. *Healthy people 2010* (conference ed, 2 vols). Washington, DC: US Department of Health and Human Services, 2000.
9. US Department of Health and Human Services. *Promoting safe work for young workers: a community-based approach*. Cincinnati, Ohio: US Department of Health and Human Services, 1999: DHHS publication no. 99-141.

**Fatal Occupational Injuries — United States, 1980–1997**

CDC monitors deaths from occupational injuries through the National Traumatic Occupational Fatalities (NTOF) surveillance system (1,2). This report provides an overview of traumatic occupational deaths among civilian workers from NTOF from 1980 through 1997, the most recent year for which data are available. The data presented in this report indicate a decrease in occupational deaths over this period with mining, agriculture/forestry/fishing, and construction having the highest death rates; motor-vehicle crashes were the leading cause of injury-related deaths for U.S. workers. State health departments and others involved in prevention of occupational injuries can use the data to prioritize intervention programs.

NTOF contains information obtained from death certificates from the vital statistics reporting units in the 50 states, New York City, and the District of Columbia (1).<sup>\*</sup> Crude death rates per 100,000 workers were calculated as the number of deaths among civilian workers for each year divided by the number of employed civilians for each year. Employment estimates for rate calculations were obtained from the Bureau of Labor Statistics' (BLS) Current Population Survey (CPS), a population-based, household-sample survey of the civilian, noninstitutionalized population. These data were extracted from the BLS *Employment and Earnings*<sup>†</sup> and the CPS monthly microdata files (3). Employment data used for rate calculations were based on the number of workers.

**National Estimates**

During 1980–1997, 103,945 civilian workers died in the United States from occupational injuries, an average of 16 work-related deaths per day. The annual number of traumatic occupational deaths declined 28%, from 7343 in 1980 to 5285 in 1997. The rate for occupational injury deaths for all workers decreased 45%, from 7.4 per 100,000 workers in 1980 to 4.1 in 1997.

Males accounted for 93% of all deaths, with a death rate approximately 11 times that of females (Table 1). Although 85% of civilian workers who died were white, blacks had a higher fatality rate (5.6 per 100,000 workers) than whites (5.0). Workers aged 25–34 years accounted for the largest number of occupational injury deaths, and workers aged ≥65 years had the highest age-specific death rate (Table 1).

<sup>\*</sup>Inclusion criteria for death certificate submission to the NTOF database include 1) age ≥16 years; 2) external cause of death (*International Classification of Diseases, Ninth Revision*, codes E800–E999); and 3) "Injury at Work?" item marked positive by the certifier.

<sup>†</sup>Employment estimates were based on household data annual averages from the BLS monthly publications of the *Employment and Earnings*. These estimates are extracted from each of the January issues for 1980–1997.

*Fatal Occupational Injuries — Continued***TABLE 1. Number and rate\* of traumatic occupational deaths, by sex, race, and age group — United States, 1980–1997**

| Characteristic         | No.            | (%)          | Rate       |
|------------------------|----------------|--------------|------------|
| <b>Sex</b>             |                |              |            |
| Male                   | 97,053         | ( 93)        | 8.6        |
| Female                 | 6,886          | ( 7)         | 0.8        |
| Unknown                | 6              | ( <1)        | —          |
| <b>Race</b>            |                |              |            |
| White                  | 88,392         | ( 85)        | 5.0        |
| Black                  | 11,478         | ( 11)        | 5.6        |
| Other                  | 3,167          | ( 3)         | 4.8        |
| Unknown                | 908            | ( 1)         | —          |
| <b>Age group (yrs)</b> |                |              |            |
| 16–17                  | 969            | ( 1)         | 2.1        |
| 18–19                  | 2,714          | ( 3)         | 3.8        |
| 20–24                  | 10,791         | ( 10)        | 4.5        |
| 25–34                  | 26,390         | ( 25)        | 4.7        |
| 35–44                  | 22,881         | ( 22)        | 4.5        |
| 45–54                  | 18,213         | ( 18)        | 5.2        |
| 55–64                  | 14,108         | ( 14)        | 6.9        |
| ≥65                    | 7,779          | ( 7)         | 13.3       |
| Unknown                | 100            | ( <1)        | —          |
| <b>Total</b>           | <b>103,945</b> | <b>(100)</b> | <b>5.1</b> |

\*Per 100,000 workers. Rates not calculated for “unknown” or “not classified” categories.

Since 1980, motor-vehicle crashes accounted for 24% of deaths and were the leading cause of injury-related death for U.S. workers. In 1990, homicides became the second leading cause of occupational injury deaths (14%), surpassing machine-related deaths (13%). Deaths caused by falls and electrocutions accounted for 10% and 7% of work-related deaths, respectively.

The industries in which the largest numbers of deaths occurred were construction (19,179 deaths [19% of reported deaths]), transportation/communications/public utilities (17,489 [17%]), and manufacturing (15,490 [15%]). Industries with the highest death rates were mining (30 per 100,000 workers), agriculture/forestry/fishing (19), and construction (15).

The risk for specific causes of death varied by industry. Machinery was the leading cause of death in agriculture/forestry/fishing, mining, and manufacturing. Falls were the most prevalent in construction, followed by motor-vehicle crashes, and machinery. Motor-vehicle crashes were the leading cause of death in transportation/communications/public utilities, wholesale trade, and public administration. Homicide was the leading cause of death in retail trade, finance/insurance/real estate, and services.

The occupation categories in which the largest number of deaths occurred were precision production/craft/repairers (21,412 deaths [21%]), transportation/material movers (18,251 [18%]), and farmers/foresters/fishers (13,597 [13%]). Occupation categories with the highest death rates were farmers/foresters/fishers (21.4 per 100,000 workers), transportation/material movers (21.3), and handlers/equipment cleaners/helpers/laborers (13.4).

**State Estimates**

The greatest number of fatal occupational injuries occurred in California (10,712 deaths [10%]), Texas (10,294 [10%]), Florida (6,269 [6%]), Illinois (4,582 [4%]), and Pennsylvania

*Fatal Occupational Injuries — Continued*

(4,402 [4%]). Fatal occupational injury rates were highest in Alaska (22.7 per 100,000 workers), Wyoming (15.8), Montana (11.8), Idaho (10.4), and West Virginia (10.1). The leading causes of death varied for each of these five states. For example, water transport accounted for the most deaths in Alaska (33%), compared with approximately 2% for the United States, and air transport was the second or third leading cause of death in four of the five states, compared with being the seventh overall cause of death nationally.

*Reported by: Div of Safety Research, National Institute for Occupational Safety and Health, CDC.*

**Editorial Note:** The findings in this report indicate a general decrease during 1980–1997 in the annual number of deaths and the annual rates of occupational deaths in the United States. In addition, the leading causes of death have changed through the 1990s. Although surveillance data cannot identify reasons for these temporal trends, changes in the workplace (e.g., increased and better targeted regulations, improved hazard awareness, new technology, and mechanization) are possible factors (4). In addition, changes in the economy, the industrial mix, and the distribution of the workforce (4) and improvements in acute trauma care for injured workers may have contributed to these decreases.

NTOF is the only surveillance system with comprehensive fatal occupational injury data for the United States during the 1980s. NTOF provides data for examining temporal trends and analyzing data by cause of death and industry, both useful tools for identifying injury patterns and suggesting targets for interventions.

The findings in this report are subject to at least four limitations. First, only 67%–90% of all fatal occupational injuries can be identified using death certificates as the source of case identification (1). Second, standardized guidelines for coding the “Injury at Work?” item on the death certificates were introduced in 1992;<sup>5</sup> as a result, earlier application of this item may have been inconsistently applied. Third, information derived solely from death certificates lacks the level of detail found in multisource databases, resulting in increased potential for misclassification. Finally, the rates presented in this report do not reflect the difference in exposure for groups that commonly work <40 hours per week (e.g., youth and older workers).

In 1992, BLS began collecting data on work-related deaths from all 50 states and the District of Columbia through the Census of Fatal Occupational Injuries (CFOI), a multi-source surveillance system that incorporates information from various sources, including death certificates, workers’ compensation reports, medical examiner and coroner reports, news media, motor-vehicle incident reports, information from other federal agencies, and follow-up questionnaires (5). CFOI uses multiple data sources and requires that work-relatedness be substantiated by at least two of these sources, leading to improvements in both case ascertainment and data accuracy. NTOF and CFOI identified similar patterns from 1992 through 1997, the years for which data collection for the two systems overlapped; however, NTOF identified 32,368 deaths, compared with 37,875 by CFOI (6).

One of the national health objectives for 2010 is to reduce the rate of work-related injury death to 3.2 per 100,000 workers (objective 20-1a) (7). Surveillance data, such as those gathered through NTOF and CFOI, provide the basis for strategies to prevent traumatic work-related deaths by profiling high-risk worker groups and leading causes of death. This information can be used to develop targeted injury-prevention efforts.

<sup>5</sup> In 1992, national guidelines for completing the “Injury at Work?” item were developed and disseminated by the Association for Vital Records and Health Statistics (now the National Association for Public Health Statistics and Information Systems), NIOSH, the National Center for Health Statistics, and the National Center for Environmental Health (1).

*Fatal Occupational Injuries — Continued*

Additional information about NTOF is available from NIOSH, telephone (800) 356-4674 or (513) 533-8328; or at <http://www.cdc.gov/niosh/homepage.html>.

*References*

1. Jenkins EL, Kisner SM, Fosbroke DE, et al. Fatal Injuries to workers in the United States, 1980–1989: a decade of surveillance, national and state profiles. Cincinnati, Ohio: US Department of Health and Human Services, Public Health Services, CDC, 1993; DHHS publication no. (NIOSH)93-108S.
2. CDC. Fatal occupational injuries—United States, 1980–1994. *MMWR* 1998;47:297–302.
3. Bureau of Labor Statistics. BLS handbook of methods. Washington, DC: US Department of Labor, Bureau of Labor Statistics, 1992. (BLS Bulletin 2414).
4. Stout NA, Jenkins EL, Pizatella TJ. Occupational injury mortality rates in the United States: changes from 1980 to 1989. *Am J Public Health* 1996;86:73–7.
5. Bureau of Labor Statistics. Fatal workplace injuries in 1992: a collection of data and analysis. Washington, DC: US Department of Labor, Bureau of Labor Statistics, 1994. (Report 870).
6. Bureau of Labor Statistics. Fatal workplace injuries in 1997: a collection of data and analysis. Washington, DC: US Department of Labor, Bureau of Labor Statistics, 1999. (Report 934).
7. US Department of Health and Human Services. Healthy people 2010 (conference ed, 2 vols). Washington, DC: US Department of Health and Human Services, 2000.

### **Progress Toward Global Poliomyelitis Eradication, 2000**

In 1988, the World Health Assembly resolved to eradicate poliomyelitis globally by 2000 (1). Substantial progress toward this goal has been reported from all six World Health Organization (WHO) regions\*; 20 countries reported poliovirus transmission in December 2000 compared with 30 in 1999. WHO has prepared a global action plan that anticipates certification of polio eradication in 2005 (2). This report summarizes the status of the eradication effort and describes the remaining tasks to be completed to reach global polio eradication.

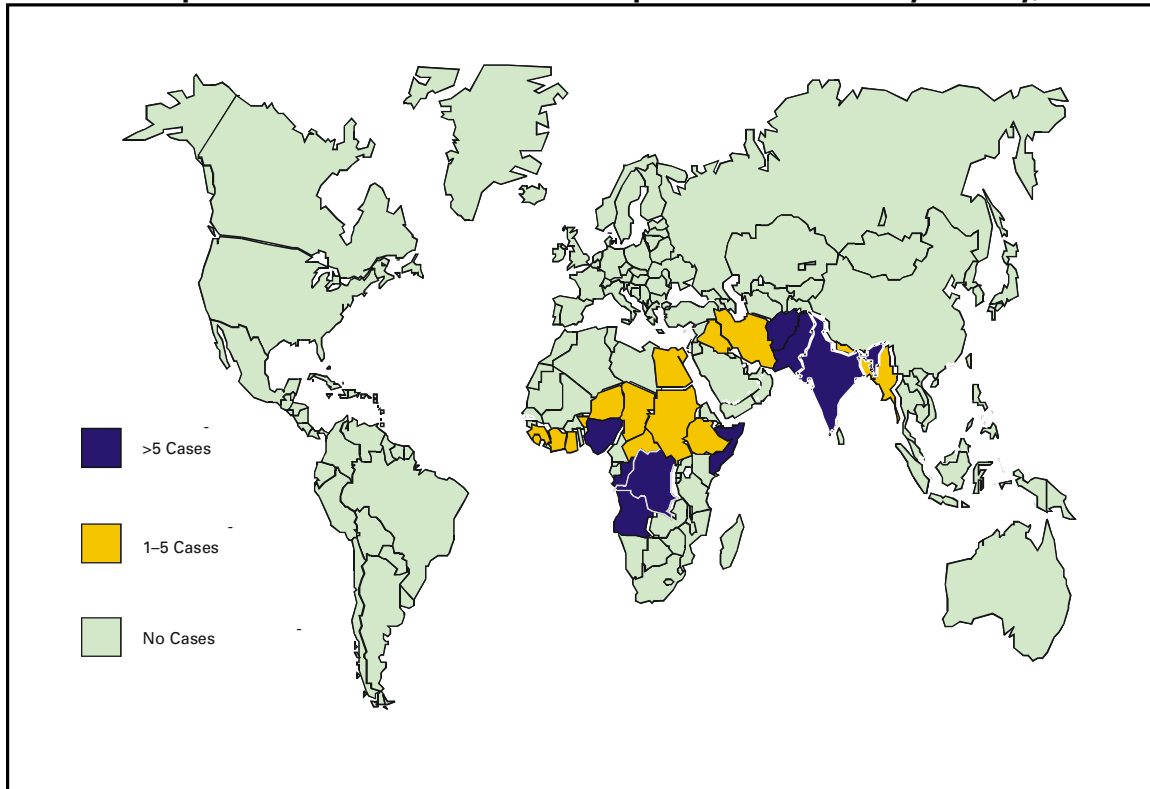
Among infants aged <12 months worldwide, 79% and 78% were vaccinated with three doses of oral poliovirus vaccine (OPV) in 1998 and 1999, respectively. Africa reported the lowest routine vaccination rates (51% in 1998 and 49% in 1999). Among most of the 20 countries where polio is endemic (Figure 1), routine vaccination was <50%.

Three activities supplement routine vaccination: national vaccination days (i.e., nationwide mass campaigns), subnational vaccination days (i.e., mass campaigns conducted in large areas of a country), and mopping-up (i.e., focal mass campaigns in high-risk areas). The supplemental rounds last several days to weeks and usually target children aged <5 years who are administered two OPV doses. Since 1999, countries where polio is endemic have increased the number and improved the quality of supplemental rounds; 10 priority countries held 50% more rounds in 2000 than in 1999, and an additional 10%–40% of children received OPV from health-care workers going house-to-house. During January 1999–May 2000, the number of countries where polio is endemic decreased from 30 to 24 (13 in Africa, seven in the Eastern Mediterranean, and four in the South-East Asia) (Figure 1). Transmission was detected in 20 countries during the second half of 2000.

Despite improved surveillance, the number of reported polio cases decreased by 60% from 7141 in 1999 to 2849 as of April 3, 2001 (Table 1). From 1999 to 2000, the global

\*Africa, the Americas, Eastern Mediterranean, Europe, South-East Asia, and Western Pacific.

## Global Poliomyelitis — Continued

**FIGURE 1. Reported number of confirmed wild poliovirus cases — by country, 2000****TABLE 1. Performance indicators for acute flaccid paralysis (AFP) surveillance — by World Health Organization Regions, 1999–2001\***

| Region                | 1999                   |                                |  |                              | 2000                   |                   |                               |                              |
|-----------------------|------------------------|--------------------------------|--|------------------------------|------------------------|-------------------|-------------------------------|------------------------------|
|                       | No. reported AFP cases | Nonpolio AFP rate <sup>†</sup> | % AFP with adequate specimens <sup>§</sup> | Confirmed polio (wild virus) | No. reported AFP cases | Nonpolio AFP rate | % AFP with adequate specimens | Confirmed polio (wild virus) |
| Africa                | 5,011                  | 0.8                            | 31%  | 2,861 ( 246)                 | 5,733                  | 1.5               | 52%                           | 1,763 (144)                  |
| Americas              | 1,861                  | 1.1                            | 80%  | 0 ( 0)                       | 1,981                  | 1.2               | 80%                           | 12 ( 0)                      |
| Eastern Mediterranean | 3,079                  | 1.1                            | 67%  | 914 ( 479)                   | 3,242                  | 1.4               | 70%                           | 465 (261)                    |
| Europe                | 1,703                  | 1.2                            | 74%  | 0 ( 0)                       | 1,680                  | 1.2               | 80%                           | 0 ( 0)                       |
| South-East Asia       | 11,916                 | 1.6                            | 71%  | 3,365 ( 1,161)               | 10,764                 | 1.8               | 80%                           | 609 (272)                    |
| Western Pacific       | 6,354                  | 1.4                            | 86%  | 1 ( 1)                       | 7,100                  | 1.5               | 87%                           | 0 ( 0)                       |
| <b>Total</b>          | <b>29,924</b>          | <b>1.3</b>                     | <b>67%</b>                                 | <b>7,141 (1,887)</b>         | <b>30,500</b>          | <b>1.5</b>        | <b>75%</b>                    | <b>2,849 (677)</b>           |

\* As of April 3, 2001.

<sup>†</sup> Per 100,000 children aged <15 years.<sup>§</sup> Two stool specimens collected at an interval of at least 24 hours within 14 days of paralysis onset and adequately shipped to the laboratory.

nonpolio acute flaccid paralysis (AFP) rate, an indicator of surveillance sensitivity, increased from 1.3 per 100,000 population to 1.5, and the proportion of persons with AFP with adequate stool specimens increased from 67% to 75%. Type 2 wild poliovirus has not been detected since October 1999 (3).

By late 2000, 128 (87%) of the 147 laboratories in the polio laboratory network had received WHO accreditation (i.e., attained a standardized quality level). The network

*Global Poliomyelitis — Continued*

processed 48,370 stool specimens in 1999 and approximately 50,000 in 2000 (3). To ensure consistent handling and results, all AFP specimens are processed in an accredited laboratory.

At the end of 2000, <33% of the world's population lived in countries where polio was endemic, compared with >80% in 1988. Polio-free status has been certified in two of the six WHO regions: the Americas in 1994 and the Western Pacific in 2000. No wild poliovirus has been found in Europe since the last case reported from southeastern Turkey in 1998. All countries in a region must be free of wild poliovirus for 3 years as part of the certification requirements.

During 2000–2001, an outbreak of vaccine-derived poliovirus was reported in the Americas: three laboratory-confirmed cases occurred in Haiti and 14 in the Dominican Republic (4,5). Infected persons were unvaccinated (n=six), inadequately vaccinated (n=five), adequately vaccinated (n=one), or their vaccination status was unknown (n=five). Genetic sequencing of the virus indicated that the outbreak was caused by vaccine-derived poliovirus type 1 that appeared to have acquired neurovirulence and transmission characteristics of wild poliovirus. The Dominican Republic and Haiti are completing three national vaccination rounds in 2001.

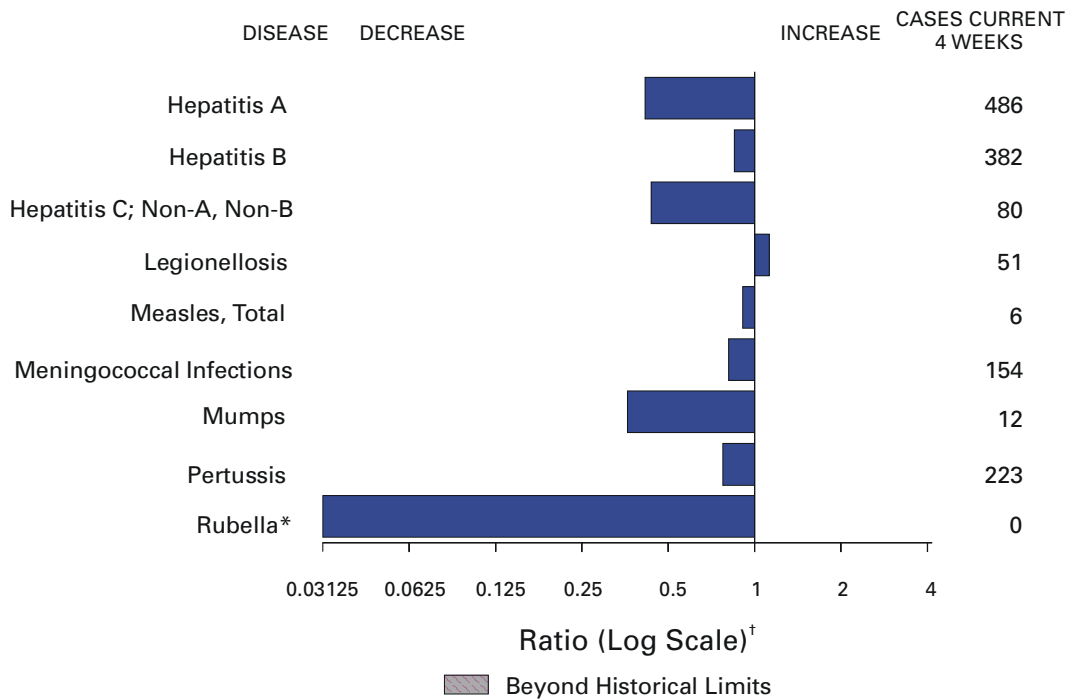
In Africa in 2000, wild poliovirus transmission was reported mostly in central Africa and the Horn of Africa. Nigeria, the Democratic Republic of Congo (DRC), and Angola represent the largest poliovirus reservoirs. Nigeria reported 637 cases of which 11 were laboratory-confirmed. These 11 cases occurred throughout Nigeria, indicating that transmission was widespread. Following a large polio outbreak in 1999, Angola continued to detect virus transmission. The poliovirus type 1 responsible for the outbreak in Cape Verde originated in Angola (6). A polio outbreak also was reported from Congo-Brazzaville (31 confirmed wild poliovirus cases). DRC reported 513 cases, with 24 confirmed wild poliovirus cases found throughout the country, including border areas. In Ethiopia, three of 144 reported cases were laboratory-confirmed; however, transmission probably was underestimated because of the low quality of surveillance. In West Africa, the regional nonpolio AFP rate was 1.3 per 100,000 in 2000 compared with 0.8 per 100,000 in 1999. The proportion of persons in Africa with AFP from which adequate stool samples were collected increased from 31% in 1999 to 52% in 2000. House-to-house and nationwide vaccination rounds were conducted during the fall of 2000 and early 2001.

In 2000, the Eastern Mediterranean reported 261 confirmed wild poliovirus cases. Wild poliovirus transmission remains widespread in Pakistan (173 cases) and Afghanistan (27 cases). Despite increasingly sensitive surveillance, Iraq has not detected wild poliovirus since January 2000. Sudan reported four confirmed wild poliovirus cases but surveillance is not sufficient to assess accurately the intensity of virus transmission. Improved surveillance in Somalia identified an outbreak of type 1 poliovirus (46 cases) in the Mogadishu area. During the first half of 2000, three confirmed wild poliovirus cases were reported from reservoirs in the governorates of Minya, Asyut, and Fayoum in upper Egypt. Wild poliovirus type 1 was detected in samples of sewage from Minya late in 2000; three confirmed wild poliovirus cases were reported in late 2000 and early 2001.

South-East Asia reported 272 confirmed wild poliovirus cases in 2000 compared with 1161 cases in 1999. This decrease was attributable mainly to a decrease in the number of confirmed wild poliovirus cases reported from India where 265 cases were reported in 2000 compared with 1126 in 1999. India maintained high-quality surveillance, with a nonpolio AFP rate of 2.0 and adequate stool specimens collected from 83% of persons

*Continued on page 331*

**FIGURE I. Selected notifiable disease reports, United States, comparison of provisional 4-week totals ending April 21, 2001, with historical data**



\* No rubella cases were reported for the current 4-week period yielding a ratio for week 16 of zero (0).

† Ratio of current 4-week total to mean of 15 4-week totals (from previous, comparable, and subsequent 4-week periods for the past 5 years). The point where the hatched area begins is based on the mean and two standard deviations of these 4-week totals.

**TABLE I. Summary of provisional cases of selected notifiable diseases, United States, cumulative, week ending April 21, 2001 (16th Week)**

|   | Cum. 2001 |  | Cum. 2001 |
|---|-----------|--|-----------|
| Anthrax                                   | -         | Poliomyelitis, paralytic                 | -         |
| Brucellosis*                              | 17        | Psittacosis*                             | 4         |
| Cholera                                   | -         | Q fever*                                 | 4         |
| Cyclosporiasis*                           | 33        | Rabies, human                            | -         |
| Diphtheria                                | -         | Rocky Mountain spotted fever (RMSF)      | 32        |
| Ehrlichiosis: human granulocytic (HGE)*   | 26        | Rubella, congenital syndrome             | -         |
| human monocytic (HME)*                    | 3         | Streptococcal disease, invasive, group A | 1,178     |
| Encephalitis: California serogroup viral* | -         | Streptococcal toxic-shock syndrome*      | 18        |
| eastern equine*                           | -         | Syphilis, congenital†                    | 17        |
| St. Louis*                                | -         | Tetanus                                  | 4         |
| western equine*                           | -         | Toxic-shock syndrome                     | 43        |
| Hansen disease (leprosy)*                 | 22        | Trichinosis                              | 5         |
| Hantavirus pulmonary syndrome*†           | 3         | Tularemia*                               | 8         |
| Hemolytic uremic syndrome, postdiarrheal* | 18        | Typhoid fever                            | 53        |
| HIV infection, pediatric*§                | 56        | Yellow fever                             | -         |
| Plague                                    | -         |  |           |

-: No reported cases.

\*Not notifiable in all states.

† Updated monthly from reports to the Division of HIV/AIDS Prevention — Surveillance and Epidemiology, National Center for HIV, STD, and TB Prevention (NCHSTP). Last update March 27, 2001.

§ Updated from reports to the Division of STD Prevention, NCHSTP.

**TABLE II. Provisional cases of selected notifiable diseases, United States, weeks ending April 21, 2001, and April 22, 2000 (16th Week)**

| Reporting Area | AIDS                   |           | Chlamydia <sup>†</sup> |           | Cryptosporidiosis |           | <i>Escherichia coli</i> O157:H7* |           |           |           |
|----------------|------------------------|-----------|------------------------|-----------|-------------------|-----------|----------------------------------|-----------|-----------|-----------|
|                | Cum. 2001 <sup>‡</sup> | Cum. 2000 | Cum. 2001              | Cum. 2000 | Cum. 2001         | Cum. 2000 | NETSS                            |           | PHLIS     |           |
|                |                        |           |                        |           |                   |           | Cum. 2001                        | Cum. 2000 | Cum. 2001 | Cum. 2000 |
| UNITED STATES  | 9,062                  | 9,314     | 184,779                | 207,787   | 406               | 436       | 292                              | 431       | 197       | 358       |
| NEW ENGLAND    | 317                    | 652       | 6,382                  | 7,010     | 14                | 26        | 33                               | 39        | 32        | 38        |
| Maine          | 3                      | 11        | 356                    | 398       | 1                 | 3         | 4                                | 3         | 4         | 3         |
| N.H.           | 12                     | 9         | 337                    | 338       | -                 | 1         | 5                                | 4         | 6         | 4         |
| Vt.            | 10                     | -         | 185                    | 179       | 5                 | 8         | 1                                | 1         | -         | 2         |
| Mass.          | 195                    | 438       | 2,797                  | 3,000     | 4                 | 7         | 17                               | 18        | 15        | 14        |
| R.I.           | 35                     | 20        | 890                    | 698       | 2                 | 2         | -                                | -         | 2         | -         |
| Conn.          | 62                     | 174       | 1,817                  | 2,397     | 2                 | 5         | 6                                | 13        | 5         | 15        |
| MID. ATLANTIC  | 1,805                  | 2,341     | 15,702                 | 20,070    | 44                | 90        | 27                               | 57        | 15        | 54        |
| Upstate N.Y.   | 82                     | 102       | N                      | N         | 21                | 22        | 22                               | 51        | 10        | 38        |
| N.Y. City      | 854                    | 1,428     | 8,292                  | 8,562     | 21                | 63        | -                                | 4         | 1         | 1         |
| N.J.           | 503                    | 479       | 1,334                  | 4,062     | 1                 | 1         | 5                                | 2         | 4         | 7         |
| Pa.            | 366                    | 332       | 6,076                  | 7,446     | 1                 | 4         | N                                | N         | -         | 8         |
| E.N. CENTRAL   | 668                    | 850       | 24,663                 | 36,233    | 127               | 88        | 60                               | 84        | 26        | 28        |
| Ohio           | 108                    | 112       | 974                    | 9,517     | 32                | 14        | 19                               | 17        | 10        | 9         |
| Ind.           | 65                     | 75        | 4,629                  | 4,030     | 15                | 5         | 11                               | 10        | 2         | 10        |
| Ill.           | 323                    | 535       | 7,014                  | 10,038    | -                 | 14        | 9                                | 28        | 7         | -         |
| Mich.          | 137                    | 99        | 9,169                  | 7,604     | 32                | 11        | 14                               | 12        | -         | 4         |
| Wis.           | 35                     | 29        | 2,877                  | 5,044     | 48                | 44        | 7                                | 17        | 7         | 5         |
| W.N. CENTRAL   | 168                    | 164       | 9,625                  | 11,544    | 18                | 24        | 25                               | 63        | 22        | 68        |
| Minn.          | 37                     | 36        | 1,780                  | 2,531     | -                 | 4         | 8                                | 10        | 11        | 30        |
| Iowa           | 18                     | 13        | 1,239                  | 1,197     | 9                 | 5         | 4                                | 12        | 2         | 7         |
| Mo.            | 72                     | 72        | 3,195                  | 3,968     | 5                 | 6         | 5                                | 25        | 5         | 16        |
| N. Dak.        | 1                      | -         | 297                    | 285       | -                 | 1         | -                                | 2         | 1         | 4         |
| S. Dak.        | -                      | 2         | 575                    | 545       | 1                 | 3         | 3                                | 2         | 1         | 2         |
| Nebr.          | 16                     | 9         | 778                    | 1,117     | 3                 | 2         | -                                | 7         | -         | 6         |
| Kans.          | 24                     | 32        | 1,761                  | 1,901     | -                 | 3         | 5                                | 5         | 2         | 3         |
| S. ATLANTIC    | 3,019                  | 2,488     | 40,326                 | 37,945    | 88                | 57        | 34                               | 34        | 14        | 29        |
| Del.           | 54                     | 44        | 932                    | 899       | 1                 | 1         | -                                | -         | -         | -         |
| Md.            | 247                    | 267       | 4,021                  | 3,716     | 20                | 5         | 1                                | 6         | -         | 1         |
| D.C.           | 234                    | 186       | 1,088                  | 999       | 5                 | -         | -                                | -         | U         | U         |
| Va.            | 224                    | 158       | 5,324                  | 4,759     | 6                 | 2         | 7                                | 6         | 5         | 8         |
| W. Va.         | 19                     | 13        | 690                    | 651       | -                 | -         | 1                                | 2         | -         | 1         |
| N.C.           | 140                    | 101       | 6,520                  | 6,098     | 11                | 6         | 16                               | 8         | 5         | 2         |
| S.C.           | 228                    | 174       | 3,981                  | 3,410     | -                 | -         | 1                                | 2         | -         | 1         |
| Ga.            | 272                    | 293       | 8,199                  | 7,418     | 27                | 32        | 2                                | 3         | 2         | 8         |
| Fla.           | 1,601                  | 1,252     | 9,571                  | 9,995     | 18                | 11        | 6                                | 7         | 2         | 8         |
| E.S. CENTRAL   | 506                    | 343       | 14,547                 | 15,822    | 11                | 14        | 11                               | 24        | 8         | 21        |
| Ky.            | 74                     | 56        | 2,554                  | 2,446     | 1                 | -         | 1                                | 8         | 2         | 8         |
| Tenn.          | 182                    | 133       | 4,478                  | 4,484     | 2                 | 2         | 6                                | 9         | 5         | 11        |
| Ala.           | 118                    | 100       | 4,068                  | 5,162     | 4                 | 7         | 4                                | 1         | -         | -         |
| Miss.          | 132                    | 54        | 3,447                  | 3,730     | 4                 | 5         | -                                | 6         | 1         | 2         |
| W.S. CENTRAL   | 862                    | 757       | 29,553                 | 31,144    | 7                 | 19        | 20                               | 26        | 22        | 41        |
| Ark.           | 64                     | 30        | 2,500                  | 1,807     | 2                 | 1         | 1                                | 4         | -         | 3         |
| La.            | 270                    | 124       | 5,240                  | 5,676     | 3                 | 2         | -                                | 1         | 9         | 8         |
| Okla.          | 43                     | 31        | 3,047                  | 2,720     | 2                 | 1         | 7                                | 4         | 5         | 3         |
| Tex.           | 485                    | 572       | 18,766                 | 20,941    | -                 | 15        | 12                               | 17        | 8         | 27        |
| MOUNTAIN       | 349                    | 290       | 9,502                  | 12,032    | 37                | 27        | 35                               | 36        | 19        | 22        |
| Mont.          | 5                      | 5         | 553                    | 400       | 3                 | 1         | 3                                | 8         | -         | -         |
| Idaho          | 5                      | 4         | 554                    | 585       | 5                 | 3         | 5                                | 4         | -         | 3         |
| Wyo.           | -                      | 1         | 227                    | 231       | -                 | 2         | -                                | 3         | -         | 2         |
| Colo.          | 69                     | 62        | 852                    | 3,450     | 12                | 8         | 16                               | 14        | 10        | 6         |
| N. Mex.        | 27                     | 40        | 1,520                  | 1,537     | 8                 | 1         | 1                                | -         | -         | 2         |
| Ariz.          | 138                    | 93        | 3,947                  | 3,901     | 1                 | 3         | 6                                | 5         | 4         | 6         |
| Utah           | 36                     | 30        | 317                    | 768       | 8                 | 7         | 3                                | 1         | 4         | 1         |
| Nev.           | 69                     | 55        | 1,532                  | 1,160     | -                 | 2         | 1                                | 1         | 1         | 2         |
| PACIFIC        | 1,368                  | 1,429     | 34,479                 | 35,987    | 60                | 91        | 47                               | 68        | 39        | 57        |
| Wash.          | 155                    | 141       | 4,248                  | 4,017     | N                 | U         | 10                               | 11        | 8         | 24        |
| Oreg.          | 52                     | 35        | 363                    | 2,043     | 2                 | 2         | 6                                | 10        | 6         | 13        |
| Calif.         | 1,142                  | 1,215     | 28,142                 | 28,308    | 58                | 89        | 27                               | 41        | 23        | 14        |
| Alaska         | 7                      | 5         | 744                    | 778       | -                 | -         | -                                | 1         | -         | 1         |
| Hawaii         | 12                     | 33        | 982                    | 841       | -                 | -         | 4                                | 5         | 2         | 5         |
| Guam           | 7                      | 13        | -                      | -         | -                 | -         | N                                | N         | U         | U         |
| P.R.           | 327                    | 184       | 1,451                  | U         | -                 | -         | -                                | 1         | U         | U         |
| V.I.           | 1                      | 11        | 53                     | -         | -                 | -         | -                                | -         | U         | U         |
| Amer. Samoa    | -                      | -         | U                      | U         | U                 | U         | U                                | U         | U         | U         |
| C.N.M.I.       | -                      | -         | U                      | U         | U                 | U         | U                                | U         | U         | U         |

N: Not notifiable. U: Unavailable. -: No reported cases. C.N.M.I.: Commonwealth of Northern Mariana Islands.

\* Individual cases can be reported through both the National Electronic Telecommunications System for Surveillance (NETSS) and the Public Health Laboratory Information System (PHLIS).

<sup>†</sup> Chlamydia refers to genital infections caused by *C. trachomatis*. Totals reported to the Division of STD Prevention, NCHSTP.

<sup>‡</sup> Updated monthly from reports to the Division of HIV/AIDS Prevention — Surveillance and Epidemiology, National Center for HIV, STD, and TB Prevention. Last update March 27, 2001.



**TABLE II. (Cont'd) Provisional cases of selected notifiable diseases, United States, weeks ending April 21, 2001, and April 22, 2000 (16th Week)**

| Reporting Area | Gonorrhea    |              | Hepatitis C;<br>Non-A, Non-B |              | Legionellosis |              | Listeriosis  | Lyme Disease |              |
|----------------|--------------|--------------|------------------------------|--------------|---------------|--------------|--------------|--------------|--------------|
|                | Cum.<br>2001 | Cum.<br>2000 | Cum.<br>2001                 | Cum.<br>2000 | Cum.<br>2001  | Cum.<br>2000 | Cum.<br>2001 | Cum.<br>2001 | Cum.<br>2000 |
| UNITED STATES  | 87,646       | 104,109      | 559                          | 1,000        | 197           | 215          | 96           | 604          | 1,283        |
| NEW ENGLAND    | 1,727        | 1,918        | 10                           | 6            | 9             | 16           | 10           | 145          | 179          |
| Maine          | 37           | 25           | -                            | -            | -             | 2            | -            | -            | -            |
| N.H.           | 37           | 26           | -                            | -            | 3             | 2            | -            | 42           | 18           |
| Vt.            | 27           | 17           | 4                            | 3            | 3             | -            | -            | 1            | 1            |
| Mass.          | 848          | 764          | 6                            | 3            | 2             | 9            | 6            | 19           | 70           |
| R.I.           | 227          | 173          | -                            | -            | -             | -            | -            | -            | -            |
| Conn.          | 551          | 913          | -                            | -            | 1             | 3            | 4            | 83           | 90           |
| MID. ATLANTIC  | 9,589        | 10,997       | 23                           | 211          | 18            | 48           | 15           | 292          | 871          |
| Upstate N.Y.   | 2,202        | 1,782        | 14                           | 13           | 12            | 17           | 8            | 231          | 347          |
| N.Y. City      | 3,558        | 3,599        | -                            | -            | 3             | 5            | 3            | -            | 33           |
| N.J.           | 823          | 2,291        | -                            | 186          | 2             | 2            | 1            | -            | 97           |
| Pa.            | 3,006        | 3,325        | 9                            | 12           | 1             | 24           | 3            | 61           | 394          |
| E.N. CENTRAL   | 13,094       | 21,706       | 69                           | 80           | 57            | 61           | 8            | 15           | 37           |
| Ohio           | 717          | 5,271        | 5                            | 1            | 32            | 26           | 1            | 15           | 4            |
| Ind.           | 1,942        | 1,823        | -                            | -            | 5             | 9            | 1            | -            | -            |
| Ill.           | 4,352        | 7,091        | 3                            | 9            | -             | 6            | -            | -            | 1            |
| Mich.          | 5,160        | 5,338        | 61                           | 70           | 14            | 11           | 5            | -            | -            |
| Wis.           | 923          | 2,183        | -                            | -            | 6             | 9            | 1            | U            | 32           |
| W.N. CENTRAL   | 3,941        | 4,889        | 158                          | 144          | 16            | 12           | 2            | 21           | 24           |
| Minn.          | 527          | 968          | -                            | 1            | 1             | 1            | -            | 14           | 11           |
| Iowa           | 308          | 289          | -                            | -            | 4             | 3            | -            | 1            | -            |
| Mo.            | 2,008        | 2,398        | 154                          | 136          | 8             | 6            | 1            | 4            | 7            |
| N. Dak.        | 11           | 15           | -                            | -            | -             | -            | -            | -            | -            |
| S. Dak.        | 65           | 77           | -                            | -            | -             | 1            | -            | -            | -            |
| Nebr.          | 248          | 366          | 2                            | 2            | 2             | -            | -            | 1            | 1            |
| Kans.          | 774          | 776          | 2                            | 5            | 1             | 1            | 1            | 1            | 5            |
| S. ATLANTIC    | 24,906       | 27,151       | 32                           | 25           | 30            | 42           | 17           | 108          | 136          |
| Del.           | 483          | 488          | -                            | 2            | -             | 4            | -            | -            | 20           |
| Md.            | 2,406        | 2,584        | 10                           | 5            | 8             | 11           | 2            | 90           | 96           |
| D.C.           | 971          | 694          | -                            | -            | 1             | -            | -            | 7            | -            |
| Va.            | 2,759        | 3,330        | -                            | 1            | 4             | 3            | 2            | 7            | 8            |
| W. Va.         | 154          | 183          | 4                            | 3            | N             | N            | 1            | 1            | 4            |
| N.C.           | 5,290        | 5,387        | 7                            | 8            | 2             | 5            | -            | 2            | 4            |
| S.C.           | 2,957        | 2,951        | 2                            | -            | 1             | 2            | 1            | -            | -            |
| Ga.            | 4,564        | 4,620        | -                            | -            | 2             | 2            | 4            | -            | -            |
| Fla.           | 5,322        | 6,914        | 9                            | 6            | 12            | 15           | 7            | 1            | 4            |
| E. S. CENTRAL  | 9,379        | 10,940       | 66                           | 149          | 18            | 6            | 7            | 2            | 1            |
| Ky.            | 1,006        | 994          | 3                            | 15           | 6             | 4            | 1            | 2            | -            |
| Tenn.          | 2,927        | 3,353        | 19                           | 29           | 8             | 1            | 3            | -            | 1            |
| Ala.           | 3,313        | 3,784        | 1                            | 4            | 2             | 1            | 3            | -            | -            |
| Miss.          | 2,133        | 2,809        | 43                           | 101          | 2             | -            | -            | -            | -            |
| W. S. CENTRAL  | 14,399       | 16,030       | 143                          | 295          | 3             | 5            | 2            | -            | 12           |
| Ark.           | 1,583        | 908          | 3                            | 3            | -             | -            | 1            | -            | -            |
| La.            | 3,560        | 4,048        | 57                           | 184          | 2             | 2            | -            | -            | 2            |
| Okla.          | 1,430        | 1,191        | 2                            | 1            | 1             | 1            | -            | -            | -            |
| Tex.           | 7,826        | 9,883        | 81                           | 107          | -             | 2            | 1            | -            | 10           |
| MOUNTAIN       | 3,025        | 3,146        | 24                           | 32           | 16            | 13           | 11           | 1            | -            |
| Mont.          | 30           | 8            | -                            | 1            | -             | -            | -            | -            | -            |
| Idaho          | 27           | 26           | 1                            | -            | -             | 1            | -            | -            | -            |
| Wyo.           | 16           | 20           | 3                            | 1            | 1             | -            | -            | -            | -            |
| Colo.          | 1,011        | 990          | 8                            | 13           | 5             | 6            | 1            | -            | -            |
| N. Mex.        | 272          | 328          | 8                            | 4            | 1             | 1            | 3            | -            | -            |
| Ariz.          | 1,061        | 1,278        | 1                            | 10           | 6             | 2            | 2            | -            | -            |
| Utah           | 33           | 90           | -                            | -            | 1             | 3            | 1            | -            | -            |
| Nev.           | 575          | 406          | 3                            | 3            | 2             | -            | 4            | 1            | -            |
| PACIFIC        | 7,586        | 7,332        | 34                           | 58           | 30            | 12           | 24           | 20           | 23           |
| Wash.          | 940          | 726          | 9                            | 8            | 5             | 5            | 2            | 2            | -            |
| Oreg.          | 57           | 257          | 2                            | 12           | N             | N            | -            | 1            | 2            |
| Calif.         | 6,316        | 6,143        | 23                           | 38           | 25            | 7            | 22           | 17           | 21           |
| Alaska         | 95           | 89           | -                            | -            | -             | -            | -            | -            | -            |
| Hawaii         | 178          | 117          | -                            | -            | -             | -            | -            | N            | N            |
| Guam           | -            | -            | -                            | -            | -             | -            | -            | -            | -            |
| P.R.           | 364          | 150          | -                            | 1            | 2             | -            | -            | N            | N            |
| V.I.           | 6            | -            | -                            | -            | -             | -            | -            | -            | -            |
| Amer. Samoa    | U            | U            | U                            | U            | U             | U            | -            | U            | U            |
| C.N.M.I.       | U            | U            | U                            | U            | U             | U            | -            | U            | U            |

N: Not notifiable.

U: Unavailable.

-: No reported cases.

**TABLE II. (Cont'd) Provisional cases of selected notifiable diseases, United States, weeks ending April 21, 2001, and April 22, 2000 (16th Week)**

| Reporting Area | Malaria      |              | Rabies, Animal |              | Salmonellosis* |              |              |              |
|----------------|--------------|--------------|----------------|--------------|----------------|--------------|--------------|--------------|
|                | Cum.<br>2001 | Cum.<br>2000 | Cum.<br>2001   | Cum.<br>2000 | NETSS          |              | PHLIS        |              |
|                |              |              |                |              | Cum.<br>2001   | Cum.<br>2000 | Cum.<br>2001 | Cum.<br>2000 |
| UNITED STATES  | 235          | 281          | 1,353          | 1,751        | 6,138          | 7,571        | 5,045        | 6,980        |
| NEW ENGLAND    | 21           | 10           | 163            | 195          | 497            | 470          | 482          | 496          |
| Maine          | 1            | 1            | 20             | 48           | 48             | 36           | 36           | 23           |
| N.H.           | 2            | -            | 5              | 3            | 40             | 25           | 34           | 34           |
| Vt.            | -            | 1            | 27             | 13           | 20             | 36           | 22           | 42           |
| Mass.          | 6            | 6            | 47             | 59           | 297            | 271          | 252          | 264          |
| R.I.           | -            | -            | 17             | 17           | 23             | 18           | 35           | 36           |
| Conn.          | 12           | 2            | 47             | 55           | 69             | 84           | 103          | 97           |
| MID. ATLANTIC  | 38           | 54           | 210            | 281          | 532            | 1,138        | 742          | 1,260        |
| Upstate N.Y.   | 11           | 16           | 166            | 198          | 209            | 241          | 122          | 322          |
| N.Y. City      | 18           | 25           | 3              | 3            | 212            | 337          | 266          | 333          |
| N.J.           | 6            | 6            | 40             | 41           | 69             | 311          | 143          | 241          |
| Pa.            | 3            | 7            | 1              | 39           | 42             | 249          | 211          | 364          |
| E.N. CENTRAL   | 26           | 36           | 8              | 15           | 899            | 1,139        | 737          | 634          |
| Ohio           | 5            | 3            | 1              | 2            | 347            | 254          | 274          | 221          |
| Ind.           | 8            | 2            | 1              | -            | 79             | 115          | 75           | 133          |
| Ill.           | -            | 20           | -              | -            | 219            | 401          | 179          | 1            |
| Mich.          | 13           | 9            | 6              | 7            | 173            | 178          | 143          | 199          |
| Wis.           | -            | 2            | -              | 6            | 81             | 191          | 66           | 80           |
| W.N. CENTRAL   | 7            | 16           | 94             | 143          | 365            | 357          | 396          | 490          |
| Minn.          | 1            | 4            | 15             | 24           | 71             | 37           | 142          | 144          |
| Iowa           | 1            | 1            | 17             | 20           | 66             | 47           | 53           | 51           |
| Mo.            | 2            | 2            | 6              | 5            | 115            | 124          | 137          | 157          |
| N. Dak.        | -            | -            | 16             | 26           | 1              | 4            | 11           | 19           |
| S. Dak.        | -            | -            | 13             | 37           | 25             | 20           | 12           | 27           |
| Nebr.          | 1            | 3            | -              | -            | 32             | 53           | -            | 40           |
| Kans.          | 2            | 6            | 27             | 31           | 55             | 72           | 41           | 52           |
| S. ATLANTIC    | 66           | 62           | 587            | 614          | 1,617          | 1,264        | 1,053        | 1,076        |
| Del.           | 1            | 1            | 10             | 10           | 24             | 18           | 23           | 28           |
| Md.            | 27           | 25           | 91             | 129          | 166            | 194          | 170          | 196          |
| D.C.           | 4            | -            | -              | -            | 22             | -            | U            | U            |
| Va.            | 13           | 16           | 110            | 141          | 261            | 146          | 217          | 157          |
| W. Va.         | -            | -            | 43             | 35           | 13             | 38           | 18           | 27           |
| N.C.           | 1            | 7            | 166            | 152          | 294            | 201          | 160          | 160          |
| S.C.           | 3            | -            | 27             | 43           | 206            | 104          | 200          | 92           |
| Ga.            | 3            | 1            | 77             | 67           | 220            | 218          | 219          | 321          |
| Fla.           | 14           | 12           | 63             | 37           | 411            | 345          | 46           | 95           |
| E.S. CENTRAL   | 8            | 10           | 44             | 62           | 365            | 377          | 177          | 292          |
| Ky.            | 2            | 2            | 6              | 9            | 68             | 77           | 36           | 49           |
| Tenn.          | 3            | 1            | 33             | 38           | 99             | 91           | 98           | 133          |
| Ala.           | 3            | 6            | 5              | 15           | 145            | 122          | 31           | 93           |
| Miss.          | -            | 1            | -              | -            | 53             | 87           | 12           | 17           |
| W.S. CENTRAL   | 4            | 4            | 86             | 313          | 436            | 724          | 389          | 471          |
| Ark.           | 1            | 1            | -              | -            | 64             | 67           | 29           | 44           |
| La.            | 1            | 3            | -              | -            | 83             | 81           | 132          | 86           |
| Okla.          | 1            | -            | 27             | 23           | 38             | 66           | 30           | 63           |
| Tex.           | 1            | -            | 59             | 290          | 251            | 510          | 198          | 278          |
| MOUNTAIN       | 18           | 16           | 53             | 51           | 470            | 689          | 377          | 624          |
| Mont.          | 2            | 1            | 9              | 13           | 16             | 23           | -            | -            |
| Idaho          | 1            | -            | -              | -            | 20             | 37           | 4            | 36           |
| Wyo.           | -            | -            | 10             | 22           | 14             | 14           | 13           | 13           |
| Colo.          | 9            | 8            | -              | -            | 139            | 220          | 120          | 201          |
| N. Mex.        | 1            | -            | 2              | 3            | 59             | 57           | 48           | 51           |
| Ariz.          | 1            | 2            | 32             | 13           | 141            | 177          | 119          | 169          |
| Utah           | 2            | 3            | -              | -            | 51             | 107          | 50           | 102          |
| Nev.           | 2            | 2            | -              | -            | 30             | 54           | 23           | 52           |
| PACIFIC        | 47           | 73           | 108            | 77           | 957            | 1,413        | 692          | 1,637        |
| Wash.          | 1            | 4            | -              | -            | 104            | 88           | 144          | 168          |
| Oreg.          | 2            | 17           | -              | -            | 21             | 95           | 65           | 116          |
| Calif.         | 41           | 50           | 76             | 68           | 732            | 1,156        | 401          | 1,287        |
| Alaska         | 1            | -            | 32             | 9            | 12             | 19           | -            | 18           |
| Hawaii         | 2            | 2            | -              | -            | 88             | 55           | 82           | 48           |
| Guam           | -            | -            | -              | -            | -              | -            | U            | U            |
| P.R.           | -            | 2            | 42             | 18           | 75             | 93           | U            | U            |
| V.I.           | -            | -            | -              | -            | -              | -            | U            | U            |
| Amer. Samoa    | U            | U            | U              | U            | U              | U            | U            | U            |
| C.N.M.I.       | U            | U            | U              | U            | U              | U            | U            | U            |

N: Not notifiable. U: Unavailable. -: No reported cases.

\* Individual cases can be reported through both the National Electronic Telecommunications System for Surveillance (NETSS) and the Public Health Laboratory Information System (PHLIS).

**TABLE II. (Cont'd) Provisional cases of selected notifiable diseases, United States, weeks ending April 21, 2001, and April 22, 2000 (16th Week)**

| Reporting Area | Shigellosis* |              |              |              | Syphilis<br>(Primary & Secondary) |              | Tuberculosis |              |
|----------------|--------------|--------------|--------------|--------------|-----------------------------------|--------------|--------------|--------------|
|                | NETSS        |              | PHLIS        |              | Cum.<br>2001                      | Cum.<br>2000 | Cum.<br>2001 | Cum.<br>2000 |
|                | Cum.<br>2001 | Cum.<br>2000 | Cum.<br>2001 | Cum.<br>2000 |                                   |              |              |              |
| UNITED STATES  | 3,020        | 4,835        | 1,551        | 2,972        | 1,487                             | 1,976        | 2,815        | 3,499        |
| NEW ENGLAND    | 48           | 93           | 56           | 82           | 12                                | 23           | 97           | 98           |
| Maine          | 1            | 2            | 1            | -            | -                                 | -            | 5            | 3            |
| N.H.           | 1            | 1            | 1            | 3            | -                                 | -            | 6            | 2            |
| Vt.            | 2            | 1            | 1            | -            | -                                 | -            | 1            | 1            |
| Mass.          | 34           | 68           | 35           | 53           | 8                                 | 19           | 54           | 58           |
| R.I.           | 2            | 7            | 5            | 9            | 1                                 | 1            | 9            | 7            |
| Conn.          | 8            | 14           | 13           | 17           | 3                                 | 3            | 22           | 27           |
| MID. ATLANTIC  | 296          | 739          | 244          | 507          | 95                                | 94           | 576          | 592          |
| Upstate N.Y.   | 126          | 237          | 6            | 134          | 4                                 | 4            | 69           | 60           |
| N.Y. City      | 100          | 385          | 124          | 240          | 67                                | 43           | 309          | 348          |
| N.J.           | 40           | 69           | 49           | 65           | 14                                | 17           | 132          | 148          |
| Pa.            | 30           | 48           | 65           | 68           | 10                                | 30           | 66           | 36           |
| E.N. CENTRAL   | 467          | 800          | 246          | 276          | 218                               | 421          | 291          | 356          |
| Ohio           | 145          | 48           | 73           | 39           | 27                                | 22           | 47           | 69           |
| Ind.           | 78           | 106          | 16           | 22           | 51                                | 147          | 24           | 28           |
| Ill.           | 124          | 296          | 84           | 2            | 40                                | 144          | 159          | 203          |
| Mich.          | 95           | 251          | 66           | 204          | 92                                | 88           | 39           | 30           |
| Wis.           | 25           | 99           | 7            | 9            | 8                                 | 20           | 22           | 26           |
| W.N. CENTRAL   | 336          | 302          | 290          | 247          | 16                                | 30           | 122          | 150          |
| Minn.          | 105          | 43           | 160          | 78           | 7                                 | 3            | 65           | 51           |
| Iowa           | 72           | 55           | 61           | 59           | -                                 | 8            | 9            | 11           |
| Mo.            | 76           | 161          | 53           | 88           | 6                                 | 15           | 30           | 60           |
| N. Dak.        | 9            | 1            | 1            | 1            | -                                 | -            | -            | -            |
| S. Dak.        | 21           | 1            | 1            | -            | -                                 | -            | 4            | 8            |
| Nebr.          | 24           | 22           | -            | 11           | -                                 | 2            | 14           | 3            |
| Kans.          | 29           | 19           | 14           | 10           | 3                                 | 2            | -            | 17           |
| S. ATLANTIC    | 493          | 555          | 153          | 164          | 605                               | 645          | 535          | 562          |
| Del.           | 3            | 3            | 2            | 4            | 2                                 | 2            | -            | -            |
| Md.            | 36           | 33           | 13           | 10           | 74                                | 101          | 54           | 68           |
| D.C.           | 18           | -            | U            | U            | 12                                | 19           | 13           | -            |
| Va.            | 35           | 24           | 19           | 26           | 48                                | 40           | 53           | 64           |
| W. Va.         | 4            | 2            | 6            | 2            | -                                 | 1            | 9            | 13           |
| N.C.           | 109          | 36           | 51           | 16           | 148                               | 170          | 77           | 89           |
| S.C.           | 32           | 5            | 17           | 7            | 86                                | 68           | 19           | 22           |
| Ga.            | 64           | 66           | 41           | 62           | 82                                | 112          | 121          | 142          |
| Fla.           | 192          | 386          | 4            | 37           | 153                               | 132          | 189          | 164          |
| E.S. CENTRAL   | 272          | 210          | 76           | 163          | 168                               | 291          | 180          | 241          |
| Ky.            | 99           | 39           | 30           | 26           | 12                                | 30           | 21           | 25           |
| Tenn.          | 28           | 108          | 23           | 126          | 95                                | 181          | 43           | 92           |
| Ala.           | 79           | 9            | 17           | 8            | 28                                | 42           | 83           | 81           |
| Miss.          | 66           | 54           | 6            | 3            | 33                                | 38           | 33           | 43           |
| W.S. CENTRAL   | 418          | 741          | 253          | 240          | 215                               | 277          | 351          | 570          |
| Ark.           | 167          | 66           | 65           | 21           | 15                                | 30           | 42           | 43           |
| La.            | 26           | 81           | 54           | 38           | 49                                | 69           | -            | 25           |
| Okla.          | 6            | 11           | 2            | 8            | 27                                | 52           | 34           | 30           |
| Tex.           | 219          | 583          | 132          | 173          | 124                               | 126          | 275          | 472          |
| MOUNTAIN       | 205          | 289          | 131          | 173          | 56                                | 58           | 80           | 143          |
| Mont.          | -            | 2            | -            | -            | -                                 | -            | -            | 4            |
| Idaho          | 6            | 24           | -            | 17           | -                                 | -            | 4            | 2            |
| Wyo.           | -            | 1            | -            | 2            | -                                 | 1            | -            | -            |
| Colo.          | 46           | 49           | 34           | 26           | 4                                 | 2            | 26           | 16           |
| N. Mex.        | 40           | 27           | 28           | 17           | 4                                 | 6            | 5            | 19           |
| Ariz.          | 85           | 112          | 48           | 48           | 39                                | 47           | 23           | 57           |
| Utah           | 12           | 20           | 13           | 24           | 6                                 | -            | 5            | 8            |
| Nev.           | 16           | 54           | 8            | 39           | 3                                 | 2            | 17           | 37           |
| PACIFIC        | 485          | 1,106        | 102          | 1,120        | 102                               | 137          | 583          | 787          |
| Wash.          | 56           | 195          | 62           | 235          | 19                                | 18           | 55           | 60           |
| Oreg.          | 7            | 87           | 29           | 52           | -                                 | 3            | -            | 22           |
| Calif.         | 409          | 806          | -            | 822          | 80                                | 116          | 474          | 649          |
| Alaska         | 2            | 6            | -            | 3            | -                                 | -            | 14           | 22           |
| Hawaii         | 11           | 12           | 11           | 8            | 3                                 | -            | 40           | 34           |
| Guam           | -            | -            | U            | U            | -                                 | -            | -            | -            |
| P.R.           | 7            | 14           | U            | U            | 96                                | 52           | 38           | 21           |
| V.I.           | -            | -            | U            | U            | -                                 | -            | -            | -            |
| Amer. Samoa    | U            | U            | U            | U            | U                                 | U            | U            | U            |
| C.N.M.I.       | U            | U            | U            | U            | U                                 | U            | U            | U            |

N: Not notifiable. U: Unavailable. -: No reported cases.

\*Individual cases can be reported through both the National Electronic Telecommunications System for Surveillance (NETSS) and the Public Health Laboratory Information System (PHLIS).

**TABLE III. Provisional cases of selected notifiable diseases preventable by vaccination, United States, weeks ending April 21, 2001, and April 22, 2000 (16th Week)**

| Reporting Area | <i>H. influenzae</i> , Invasive |           | Hepatitis (Viral), By Type |           |           |           | Measles (Rubeola) |           |           |           |           |           |
|----------------|---------------------------------|-----------|----------------------------|-----------|-----------|-----------|-------------------|-----------|-----------|-----------|-----------|-----------|
|                | Cum. 2001 <sup>†</sup>          | Cum. 2000 | A                          |           | B         |           | Indigenous        |           | Imported* |           | Total     |           |
|                |                                 |           | Cum. 2001                  | Cum. 2000 | Cum. 2001 | Cum. 2000 | 2001              | Cum. 2001 | 2001      | Cum. 2001 | Cum. 2001 | Cum. 2000 |
| UNITED STATES  | 430                             | 440       | 2,591                      | 3,874     | 1,753     | 1,840     | 1                 | 14        | -         | 16        | 30        | 23        |
| NEW ENGLAND    | 16                              | 35        | 115                        | 97        | 31        | 33        | -                 | 3         | -         | 1         | 4         | -         |
| Maine          | 1                               | 1         | 2                          | 5         | 3         | 2         | -                 | -         | -         | -         | -         | -         |
| N.H.           | -                               | 6         | 5                          | 8         | 7         | 6         | -                 | -         | -         | -         | -         | -         |
| Vt.            | -                               | 3         | 2                          | 3         | 1         | 3         | -                 | 1         | -         | -         | 1         | -         |
| Mass.          | 15                              | 20        | 37                         | 39        | 2         | 1         | -                 | 2         | -         | 1         | 3         | -         |
| R.I.           | -                               | 1         | 5                          | 6         | 6         | 6         | -                 | -         | -         | -         | -         | -         |
| Conn.          | -                               | 4         | 64                         | 36        | 12        | 15        | -                 | -         | -         | -         | -         | -         |
| MID. ATLANTIC  | 53                              | 65        | 233                        | 269       | 246       | 308       | -                 | 1         | -         | 5         | 6         | 8         |
| Upstate N.Y.   | 19                              | 27        | 72                         | 76        | 40        | 32        | -                 | -         | -         | 4         | 4         | -         |
| N.Y. City      | 21                              | 21        | 100                        | 138       | 143       | 173       | -                 | -         | -         | -         | -         | 8         |
| N.J.           | 12                              | 13        | 46                         | -         | 44        | 14        | -                 | -         | -         | 1         | 1         | -         |
| Pa.            | 1                               | 4         | 15                         | 55        | 19        | 89        | -                 | 1         | -         | -         | 1         | -         |
| E.N. CENTRAL   | 50                              | 70        | 277                        | 525       | 210       | 178       | -                 | -         | -         | 7         | 7         | 3         |
| Ohio           | 26                              | 22        | 81                         | 112       | 37        | 33        | -                 | -         | -         | 2         | 2         | 2         |
| Ind.           | 13                              | 7         | 23                         | 13        | 5         | 12        | -                 | -         | -         | 2         | 2         | -         |
| Ill.           | 4                               | 26        | 59                         | 222       | 20        | 3         | -                 | -         | -         | 3         | 3         | -         |
| Mich.          | 3                               | 4         | 112                        | 165       | 148       | 129       | -                 | -         | -         | -         | -         | 1         |
| Wis.           | 4                               | 11        | 2                          | 13        | -         | 1         | -                 | -         | -         | -         | -         | -         |
| W.N. CENTRAL   | 19                              | 13        | 138                        | 329       | 60        | 110       | 1                 | 4         | -         | -         | 4         | -         |
| Minn.          | 8                               | 7         | 9                          | 36        | 7         | 7         | 1                 | 2         | -         | -         | 2         | -         |
| Iowa           | 1                               | -         | 13                         | 32        | 7         | 14        | -                 | -         | -         | -         | -         | -         |
| Mo.            | 8                               | 5         | 40                         | 205       | 32        | 72        | -                 | 2         | -         | -         | 2         | -         |
| N. Dak.        | -                               | 1         | -                          | -         | -         | -         | -                 | -         | -         | -         | -         | -         |
| S. Dak.        | -                               | -         | 1                          | -         | 1         | -         | -                 | -         | -         | -         | -         | -         |
| Nebr.          | 2                               | -         | 18                         | 12        | 6         | 13        | -                 | -         | -         | -         | -         | -         |
| Kans.          | -                               | -         | 57                         | 44        | 7         | 4         | -                 | -         | -         | -         | -         | -         |
| S. ATLANTIC    | 155                             | 108       | 546                        | 391       | 394       | 299       | -                 | 3         | -         | 1         | 4         | -         |
| Del.           | -                               | -         | -                          | 6         | -         | 4         | -                 | -         | -         | -         | -         | -         |
| Md.            | 40                              | 28        | 78                         | 49        | 47        | 48        | -                 | 2         | -         | 1         | 3         | -         |
| D.C.           | -                               | -         | 15                         | -         | 3         | -         | -                 | -         | -         | -         | -         | -         |
| Va.            | 9                               | 20        | 44                         | 49        | 42        | 42        | -                 | -         | -         | -         | -         | -         |
| W. Va.         | 4                               | 3         | 2                          | 34        | 6         | 2         | -                 | -         | -         | -         | -         | -         |
| N.C.           | 20                              | 8         | 34                         | 65        | 85        | 81        | -                 | -         | -         | -         | -         | -         |
| S.C.           | 4                               | 5         | 20                         | 13        | 5         | 2         | -                 | -         | -         | -         | -         | -         |
| Ga.            | 34                              | 30        | 184                        | 52        | 95        | 45        | -                 | 1         | -         | -         | 1         | -         |
| Fla.           | 44                              | 14        | 169                        | 123       | 111       | 75        | -                 | -         | -         | -         | -         | -         |
| E.S. CENTRAL   | 27                              | 19        | 85                         | 175       | 99        | 129       | -                 | -         | -         | -         | -         | -         |
| Ky.            | 1                               | 9         | 10                         | 18        | 11        | 24        | -                 | -         | -         | -         | -         | -         |
| Tenn.          | 13                              | 7         | 41                         | 58        | 39        | 56        | -                 | -         | -         | -         | -         | -         |
| Ala.           | 12                              | 3         | 30                         | 23        | 28        | 10        | -                 | -         | -         | -         | -         | -         |
| Miss.          | 1                               | -         | 4                          | 76        | 21        | 39        | U                 | -         | U         | -         | -         | -         |
| W.S. CENTRAL   | 14                              | 25        | 335                        | 724       | 217       | 206       | -                 | 1         | -         | -         | 1         | -         |
| Ark.           | -                               | -         | 18                         | 55        | 29        | 28        | -                 | -         | -         | -         | -         | -         |
| La.            | 2                               | 8         | 26                         | 29        | 14        | 51        | -                 | -         | -         | -         | -         | -         |
| Okla.          | 12                              | 17        | 55                         | 109       | 25        | 27        | -                 | -         | -         | -         | -         | -         |
| Tex.           | -                               | -         | 236                        | 531       | 149       | 100       | -                 | 1         | -         | -         | 1         | -         |
| MOUNTAIN       | 74                              | 52        | 249                        | 288       | 166       | 149       | -                 | -         | -         | 1         | 1         | 6         |
| Mont.          | -                               | -         | 4                          | 1         | 1         | 3         | -                 | -         | -         | -         | -         | -         |
| Idaho          | 1                               | 2         | 27                         | 11        | 4         | 4         | -                 | -         | -         | 1         | 1         | -         |
| Wyo.           | -                               | -         | 1                          | 3         | -         | -         | -                 | -         | -         | -         | -         | -         |
| Colo.          | 16                              | 11        | 29                         | 57        | 36        | 31        | -                 | -         | -         | -         | -         | 1         |
| N. Mex.        | 10                              | 11        | 8                          | 31        | 43        | 47        | -                 | -         | -         | -         | -         | -         |
| Ariz.          | 38                              | 22        | 123                        | 146       | 61        | 48        | -                 | -         | -         | -         | -         | -         |
| Utah           | 2                               | 4         | 24                         | 18        | 6         | 4         | -                 | -         | -         | -         | -         | 3         |
| Nev.           | 7                               | 2         | 33                         | 21        | 15        | 12        | -                 | -         | -         | -         | -         | 2         |
| PACIFIC        | 22                              | 53        | 613                        | 1,076     | 330       | 428       | -                 | 2         | -         | 1         | 3         | 6         |
| Wash.          | 1                               | 3         | 24                         | 72        | 28        | 17        | -                 | -         | -         | -         | -         | 3         |
| Oreg.          | 2                               | 16        | 19                         | 77        | 6         | 35        | -                 | 1         | -         | -         | 1         | -         |
| Calif.         | 5                               | 20        | 558                        | 916       | 286       | 368       | -                 | 1         | -         | 1         | 2         | 3         |
| Alaska         | 1                               | 1         | 11                         | 4         | 4         | 2         | -                 | -         | -         | -         | -         | -         |
| Hawaii         | 13                              | 13        | 1                          | 7         | 6         | 6         | -                 | -         | -         | -         | -         | -         |
| Guam           | -                               | -         | -                          | -         | -         | -         | U                 | -         | U         | -         | -         | -         |
| P.R.           | -                               | 2         | 28                         | 110       | 15        | 75        | U                 | -         | U         | -         | -         | -         |
| V.I.           | -                               | -         | -                          | -         | -         | -         | U                 | -         | U         | -         | -         | -         |
| Amer. Samoa    | U                               | U         | U                          | U         | U         | U         | U                 | U         | U         | U         | U         | U         |
| C.N.M.I.       | U                               | U         | U                          | U         | U         | U         | U                 | U         | U         | U         | U         | U         |

N: Not notifiable. U: Unavailable. -: No reported cases.

\*For imported measles, cases include only those resulting from importation from other countries.

<sup>†</sup> Of 85 cases among children aged <5 years, serotype was reported for 41, and of those, 8 were type b.

**TABLE III. (Cont'd) Provisional cases of selected notifiable diseases preventable by vaccination, United States, weeks ending April 21, 2001, and April 22, 2000 (16th Week)**

| Reporting Area | Meningococcal Disease |           | Mumps |           |           | Pertussis |           |           | Rubella |           |           |
|----------------|-----------------------|-----------|-------|-----------|-----------|-----------|-----------|-----------|---------|-----------|-----------|
|                | Cum. 2001             | Cum. 2000 | 2001  | Cum. 2001 | Cum. 2000 | 2001      | Cum. 2001 | Cum. 2000 | 2001    | Cum. 2001 | Cum. 2000 |
| UNITED STATES  | 877                   | 843       | 6     | 49        | 143       | 103       | 1,447     | 1,545     | -       | 3         | 27        |
| NEW ENGLAND    | 59                    | 49        | -     | -         | 2         | 1         | 217       | 415       | -       | -         | 6         |
| Maine          | -                     | 3         | -     | -         | -         | -         | -         | 9         | -       | -         | -         |
| N.H.           | 5                     | 3         | -     | -         | -         | -         | 16        | 49        | -       | -         | 1         |
| Vt.            | 4                     | 2         | -     | -         | -         | -         | 22        | 77        | -       | -         | -         |
| Mass.          | 35                    | 31        | -     | -         | -         | -         | 172       | 261       | -       | -         | 4         |
| R.I.           | 1                     | 3         | -     | -         | 1         | -         | -         | 6         | -       | -         | -         |
| Conn.          | 14                    | 7         | -     | -         | 1         | 1         | 7         | 13        | -       | -         | 1         |
| MID. ATLANTIC  | 69                    | 81        | -     | 1         | 10        | 2         | 89        | 141       | -       | 1         | 5         |
| Upstate N.Y.   | 29                    | 15        | -     | -         | 5         | 2         | 73        | 70        | -       | 1         | 2         |
| N.Y. City      | 17                    | 23        | -     | 1         | 3         | -         | 6         | 29        | -       | -         | 3         |
| N.J.           | 21                    | 20        | -     | -         | -         | -         | 2         | -         | -       | -         | -         |
| Pa.            | 2                     | 23        | -     | -         | 2         | -         | 8         | 42        | -       | -         | -         |
| E.N. CENTRAL   | 108                   | 146       | 2     | 6         | 17        | 4         | 166       | 216       | -       | 1         | -         |
| Ohio           | 40                    | 25        | -     | 1         | 6         | -         | 112       | 131       | -       | -         | -         |
| Ind.           | 17                    | 17        | -     | -         | -         | 2         | 7         | 12        | -       | -         | -         |
| Ill.           | 18                    | 40        | 2     | 5         | 4         | 2         | 14        | 18        | -       | 1         | -         |
| Mich.          | 21                    | 47        | -     | -         | 6         | -         | 15        | 12        | -       | -         | -         |
| Wis.           | 12                    | 17        | -     | -         | 1         | -         | 18        | 43        | -       | -         | -         |
| W.N. CENTRAL   | 58                    | 52        | 1     | 5         | 7         | 19        | 66        | 46        | -       | -         | 1         |
| Minn.          | 7                     | 3         | 1     | 1         | -         | 17        | 17        | 21        | -       | -         | -         |
| Iowa           | 15                    | 12        | -     | -         | 4         | -         | 5         | 8         | -       | -         | -         |
| Mo.            | 21                    | 27        | -     | -         | 1         | -         | 29        | 7         | -       | -         | -         |
| N. Dak.        | 2                     | 1         | -     | -         | -         | -         | -         | 1         | -       | -         | -         |
| S. Dak.        | 2                     | 4         | -     | -         | -         | 1         | 3         | 1         | -       | -         | -         |
| Nebr.          | 2                     | 3         | -     | -         | 1         | 1         | 2         | 2         | -       | -         | 1         |
| Kans.          | 9                     | 2         | -     | 4         | 1         | -         | 10        | 6         | -       | -         | -         |
| S. ATLANTIC    | 170                   | 121       | 1     | 6         | 18        | 8         | 68        | 110       | -       | 1         | 3         |
| Del.           | -                     | -         | -     | -         | -         | -         | -         | 1         | -       | -         | -         |
| Md.            | 22                    | 12        | 1     | 3         | 5         | 1         | 11        | 34        | -       | -         | -         |
| D.C.           | -                     | -         | -     | -         | -         | -         | 1         | -         | -       | -         | -         |
| Va.            | 19                    | 19        | -     | 2         | 4         | -         | 8         | 10        | -       | -         | -         |
| W. Va.         | 4                     | 3         | -     | -         | -         | -         | 1         | -         | -       | -         | -         |
| N.C.           | 39                    | 24        | -     | -         | 2         | 1         | 24        | 28        | -       | -         | -         |
| S.C.           | 15                    | 9         | -     | 1         | 6         | 5         | 13        | 15        | -       | -         | 2         |
| Ga.            | 23                    | 22        | -     | -         | -         | -         | 2         | 12        | -       | 1         | -         |
| Fla.           | 48                    | 32        | -     | -         | 1         | 1         | 8         | 10        | -       | -         | 1         |
| E.S. CENTRAL   | 59                    | 55        | -     | -         | 4         | -         | 29        | 35        | -       | -         | 4         |
| Ky.            | 10                    | 11        | -     | -         | -         | -         | 6         | 23        | -       | -         | 1         |
| Tenn.          | 21                    | 23        | -     | -         | 2         | -         | 16        | 3         | -       | -         | -         |
| Ala.           | 24                    | 16        | -     | -         | 1         | -         | 4         | 8         | -       | -         | 3         |
| Miss.          | 4                     | 5         | U     | -         | 1         | U         | 3         | 1         | U       | -         | -         |
| W.S. CENTRAL   | 127                   | 95        | -     | 6         | 14        | 1         | 25        | 30        | -       | -         | 3         |
| Ark.           | 10                    | 5         | -     | 1         | 1         | 1         | 3         | 6         | -       | -         | -         |
| La.            | 44                    | 27        | -     | 2         | 3         | -         | 1         | 3         | -       | -         | -         |
| Okla.          | 14                    | 17        | -     | -         | -         | -         | 1         | -         | -       | -         | -         |
| Tex.           | 59                    | 46        | -     | 3         | 10        | -         | 20        | 21        | -       | -         | 3         |
| MOUNTAIN       | 50                    | 50        | -     | 5         | 8         | 67        | 692       | 269       | -       | -         | -         |
| Mont.          | -                     | 1         | -     | -         | 1         | -         | 5         | 1         | -       | -         | -         |
| Idaho          | 4                     | 6         | -     | -         | -         | 2         | 159       | 35        | -       | -         | -         |
| Wyo.           | -                     | -         | -     | 1         | -         | -         | -         | -         | -       | -         | -         |
| Colo.          | 20                    | 13        | -     | 2         | 1         | 1         | 135       | 167       | -       | -         | -         |
| N. Mex.        | 8                     | 7         | -     | 2         | 1         | 2         | 42        | 38        | -       | -         | -         |
| Ariz.          | 9                     | 16        | -     | -         | -         | 62        | 337       | 20        | -       | -         | -         |
| Utah           | 5                     | 5         | -     | -         | 3         | -         | 9         | 5         | -       | -         | -         |
| Nev.           | 4                     | 2         | -     | -         | 2         | -         | 5         | 3         | -       | -         | -         |
| PACIFIC        | 177                   | 194       | 2     | 20        | 63        | 1         | 95        | 283       | -       | -         | 5         |
| Wash.          | 33                    | 14        | -     | -         | 1         | -         | 29        | 76        | -       | -         | 4         |
| Oreg.          | 9                     | 24        | N     | N         | N         | 1         | 4         | 26        | -       | -         | -         |
| Calif.         | 128                   | 149       | 2     | 16        | 55        | -         | 58        | 167       | -       | -         | 1         |
| Alaska         | 1                     | 2         | -     | 1         | 2         | -         | -         | 4         | -       | -         | -         |
| Hawaii         | 6                     | 5         | -     | 3         | 5         | -         | 4         | 10        | -       | -         | -         |
| Guam           | -                     | -         | U     | -         | -         | U         | -         | -         | U       | -         | -         |
| P.R.           | 1                     | 4         | U     | -         | -         | U         | -         | -         | U       | -         | -         |
| V.I.           | -                     | -         | U     | -         | -         | U         | -         | -         | U       | -         | -         |
| Amer. Samoa    | U                     | U         | U     | U         | U         | U         | U         | U         | U       | U         | U         |
| C.N.M.I.       | U                     | U         | U     | U         | U         | U         | U         | U         | U       | U         | U         |

N: Not notifiable.

U: Unavailable.

- : No reported cases.

**TABLE IV. Deaths in 122 U.S. cities,\* week ending  
April 21, 2001 (16th Week)**

| Reporting Area      | All Causes, By Age (Years) |       |       |       |      |    | P&I <sup>†</sup><br>Total | Reporting Area        | All Causes, By Age (Years) |       |       |       |      |     | P&I <sup>†</sup><br>Total |
|---------------------|----------------------------|-------|-------|-------|------|----|---------------------------|-----------------------|----------------------------|-------|-------|-------|------|-----|---------------------------|
|                     | All<br>Ages                | ≥65   | 45-64 | 25-44 | 1-24 | <1 |                           |                       | All<br>Ages                | ≥65   | 45-64 | 25-44 | 1-24 | <1  |                           |
| NEW ENGLAND         | 641                        | 466   | 115   | 42    | 5    | 13 | 77                        | S. ATLANTIC           | 1,145                      | 748   | 230   | 99    | 35   | 28  | 73                        |
| Boston, Mass.       | 165                        | 116   | 36    | 7     | 1    | 5  | 12                        | Atlanta, Ga.          | 141                        | 94    | 27    | 15    | 2    | 3   | -                         |
| Bridgeport, Conn.   | 41                         | 27    | 8     | 4     | -    | 2  | 3                         | Baltimore, Md.        | 167                        | 98    | 42    | 22    | 5    | -   | 11                        |
| Cambridge, Mass.    | 17                         | 15    | 1     | 1     | -    | -  | -                         | Charlotte, N.C.       | 111                        | 65    | 26    | 10    | 6    | 4   | 9                         |
| Fall River, Mass.   | 34                         | 28    | 3     | 3     | -    | -  | 4                         | Jacksonville, Fla.    | 158                        | 108   | 33    | 7     | 4    | 6   | 8                         |
| Hartford, Conn.     | 66                         | 41    | 15    | 7     | 2    | 1  | 3                         | Miami, Fla.           | U                          | U     | U     | U     | U    | U   | U                         |
| Lowell, Mass.       | 18                         | 15    | 2     | 1     | -    | -  | 2                         | Norfolk, Va.          | 42                         | 29    | 7     | 3     | 1    | 2   | 2                         |
| Lynn, Mass.         | 13                         | 10    | 3     | -     | -    | -  | 4                         | Richmond, Va.         | 88                         | 55    | 22    | 9     | 1    | 1   | 13                        |
| New Bedford, Mass.  | 22                         | 18    | 2     | 2     | -    | -  | 1                         | Savannah, Ga.         | 97                         | 67    | 15    | 4     | 10   | 1   | 12                        |
| New Haven, Conn.    | 48                         | 35    | 8     | 3     | -    | 2  | 12                        | St. Petersburg, Fla.  | 79                         | 59    | 10    | 7     | 3    | -   | -                         |
| Providence, R.I.    | 50                         | 39    | 8     | 3     | -    | -  | 9                         | Tampa, Fla.           | 209                        | 147   | 35    | 18    | 3    | 5   | 18                        |
| Somerville, Mass.   | 1                          | 1     | -     | -     | -    | -  | -                         | Washington, D.C.      | 53                         | 26    | 13    | 4     | -    | 6   | -                         |
| Springfield, Mass.  | 58                         | 38    | 15    | 2     | 2    | 1  | 8                         | Wilmington, Del.      | U                          | U     | U     | U     | U    | U   | U                         |
| Waterbury, Conn.    | 36                         | 23    | 7     | 6     | -    | -  | 7                         | E.S. CENTRAL          | 844                        | 579   | 170   | 58    | 19   | 17  | 71                        |
| Worcester, Mass.    | 72                         | 60    | 7     | 3     | -    | 2  | 12                        | Birmingham, Ala.      | 163                        | 109   | 34    | 13    | 4    | 2   | 18                        |
| MID. ATLANTIC       | 2,257                      | 1,566 | 465   | 140   | 42   | 43 | 146                       | Chattanooga, Tenn.    | 95                         | 63    | 20    | 5     | 2    | 5   | 11                        |
| Albany, N.Y.        | 49                         | 34    | 8     | 5     | -    | 2  | 7                         | Knoxville, Tenn.      | 124                        | 91    | 22    | 7     | 2    | 2   | 5                         |
| Allentown, Pa.      | 24                         | 21    | 3     | -     | -    | -  | 2                         | Lexington, Ky.        | 69                         | 47    | 16    | 2     | 4    | -   | 7                         |
| Buffalo, N.Y.       | 85                         | 61    | 18    | 1     | 2    | 3  | 8                         | Memphis, Tenn.        | 145                        | 101   | 27    | 10    | 5    | 2   | 11                        |
| Camden, N.J.        | 42                         | 25    | 13    | 2     | 1    | 1  | 3                         | Mobile, Ala.          | 68                         | 54    | 5     | 7     | 1    | 1   | 4                         |
| Elizabeth, N.J.     | 24                         | 16    | 6     | -     | -    | 2  | -                         | Montgomery, Ala.      | 33                         | 23    | 7     | 3     | -    | -   | 5                         |
| Erie, Pa.‡          | 35                         | 24    | 10    | -     | -    | 1  | 1                         | Nashville, Tenn.      | 147                        | 91    | 39    | 11    | 1    | 5   | 10                        |
| Jersey City, N.J.   | 47                         | 35    | 8     | 3     | 1    | -  | -                         | W.S. CENTRAL          | 1,443                      | 985   | 275   | 102   | 43   | 38  | 90                        |
| New York City, N.Y. | 1,119                      | 793   | 215   | 72    | 18   | 20 | 65                        | Austin, Tex.          | 124                        | 91    | 20    | 7     | 3    | 3   | 11                        |
| Newark, N.J.        | U                          | U     | U     | U     | U    | U  | U                         | Baton Rouge, La.      | 6                          | 2     | 2     | -     | 2    | -   | -                         |
| Paterson, N.J.      | 39                         | 26    | 6     | 3     | 2    | 2  | 1                         | Corpus Christi, Tex.  | 49                         | 35    | 10    | 1     | 2    | 1   | 3                         |
| Philadelphia, Pa.   | 390                        | 233   | 113   | 30    | 9    | 5  | 15                        | Dallas, Tex.          | 230                        | 151   | 49    | 18    | 5    | 7   | 18                        |
| Pittsburgh, Pa.‡    | 33                         | 23    | 4     | 3     | 1    | 2  | 3                         | El Paso, Tex.         | 169                        | 122   | 31    | 7     | 4    | 5   | 7                         |
| Reading, Pa.        | 26                         | 19    | 7     | -     | -    | -  | 5                         | Ft. Worth, Tex.       | 98                         | 60    | 25    | 7     | 3    | 3   | 4                         |
| Rochester, N.Y.     | 153                        | 112   | 23    | 14    | 3    | 1  | 12                        | Houston, Tex.         | 326                        | 212   | 59    | 32    | 13   | 10  | 21                        |
| Schenectady, N.Y.   | 20                         | 17    | 3     | -     | -    | -  | 3                         | Little Rock, Ark.     | 65                         | 44    | 8     | 8     | 2    | 3   | 5                         |
| Scranton, Pa.‡      | 23                         | 19    | 3     | -     | 1    | -  | 1                         | New Orleans, La.      | U                          | U     | U     | U     | U    | U   | U                         |
| Syracuse, N.Y.      | 95                         | 70    | 15    | 4     | 3    | 3  | 13                        | San Antonio, Tex.     | 235                        | 165   | 46    | 16    | 5    | 3   | 9                         |
| Trenton, N.J.       | 26                         | 17    | 6     | 2     | -    | 1  | 4                         | Shreveport, La.       | 16                         | 8     | 3     | 1     | 2    | 2   | 2                         |
| Utica, N.Y.         | 27                         | 21    | 4     | 1     | 1    | -  | 3                         | Tulsa, Okla.          | 125                        | 95    | 22    | 5     | 2    | 1   | 10                        |
| Yonkers, N.Y.       | U                          | U     | U     | U     | U    | U  | U                         | MOUNTAIN              | 926                        | 617   | 217   | 55    | 23   | 13  | 77                        |
| E.N. CENTRAL        | 1,795                      | 1,245 | 360   | 113   | 39   | 38 | 120                       | Albuquerque, N.M.     | 134                        | 93    | 29    | 8     | 4    | -   | 12                        |
| Akron, Ohio         | 58                         | 37    | 12    | 6     | -    | 3  | 1                         | Boise, Idaho          | 33                         | 28    | 5     | -     | -    | -   | 6                         |
| Canton, Ohio        | 52                         | 41    | 5     | 3     | 2    | 1  | 4                         | Colo. Springs, Colo.  | 62                         | 44    | 12    | 3     | 2    | 1   | 7                         |
| Chicago, Ill.       | U                          | U     | U     | U     | U    | U  | U                         | Denver, Colo.         | 109                        | 68    | 24    | 10    | 3    | 4   | 5                         |
| Cincinnati, Ohio    | 110                        | 71    | 26    | 8     | 5    | 2  | 2                         | Las Vegas, Nev.       | 276                        | 184   | 62    | 18    | 8    | 3   | 16                        |
| Cleveland, Ohio     | 177                        | 110   | 41    | 15    | 4    | 7  | 10                        | Ogden, Utah           | 25                         | 17    | 7     | -     | 1    | -   | -                         |
| Columbus, Ohio      | 197                        | 137   | 35    | 15    | 7    | 3  | 16                        | Phoenix, Ariz.        | U                          | U     | U     | U     | U    | U   | U                         |
| Dayton, Ohio        | 108                        | 74    | 22    | 8     | 1    | 3  | 10                        | Pueblo, Colo.         | 25                         | 19    | 4     | 1     | 1    | -   | 3                         |
| Detroit, Mich.      | 203                        | 115   | 57    | 19    | 7    | 5  | 12                        | Salt Lake City, Utah  | 109                        | 63    | 32    | 8     | 3    | 3   | 19                        |
| Evansville, Ind.    | 50                         | 37    | 10    | 1     | 1    | 1  | 5                         | Tucson, Ariz.         | 153                        | 101   | 42    | 7     | 1    | 2   | 9                         |
| Fort Wayne, Ind.    | 79                         | 58    | 14    | 4     | 1    | 2  | 3                         | PACIFIC               | 1,905                      | 1,431 | 309   | 111   | 25   | 29  | 162                       |
| Gary, Ind.          | 16                         | 12    | 4     | -     | -    | -  | -                         | Berkeley, Calif.      | 10                         | 4     | 5     | 1     | -    | -   | -                         |
| Grand Rapids, Mich. | 58                         | 41    | 11    | 3     | 1    | 2  | 4                         | Fresno, Calif.        | 120                        | 91    | 20    | 6     | 2    | 1   | 7                         |
| Indianapolis, Ind.  | 174                        | 137   | 25    | 8     | 2    | 2  | 14                        | Glendale, Calif.      | 27                         | 23    | 3     | 1     | -    | -   | 4                         |
| Lansing, Mich.      | 58                         | 48    | 6     | 4     | -    | -  | 6                         | Honolulu, Hawaii      | 68                         | 50    | 13    | 3     | 1    | 1   | 6                         |
| Milwaukee, Wis.     | 157                        | 110   | 36    | 7     | 3    | 1  | 22                        | Long Beach, Calif.    | 99                         | 67    | 19    | 11    | 1    | 1   | 11                        |
| Peoria, Ill.        | 56                         | 41    | 13    | 1     | -    | 1  | 4                         | Los Angeles, Calif.   | 573                        | 432   | 89    | 36    | 9    | 7   | 41                        |
| Rockford, Ill.      | 54                         | 35    | 14    | 4     | 1    | -  | 2                         | Pasadena, Calif.      | 25                         | 22    | 1     | 2     | -    | -   | 4                         |
| South Bend, Ind.    | 47                         | 37    | 8     | 2     | -    | -  | 3                         | Portland, Oreg.       | 52                         | 38    | 8     | 5     | -    | 1   | 6                         |
| Toledo, Ohio        | 90                         | 66    | 13    | 2     | 3    | 6  | 3                         | Sacramento, Calif.    | 215                        | 166   | 28    | 16    | 2    | 3   | 8                         |
| Youngstown, Ohio    | 51                         | 38    | 8     | 3     | 1    | 1  | 2                         | San Diego, Calif.     | 168                        | 121   | 24    | 12    | -    | 11  | 21                        |
| W.N. CENTRAL        | 645                        | 449   | 122   | 35    | 21   | 18 | 37                        | San Francisco, Calif. | U                          | U     | U     | U     | U    | U   | U                         |
| Des Moines, Iowa    | U                          | U     | U     | U     | U    | U  | U                         | San Jose, Calif.      | 187                        | 131   | 42    | 8     | 2    | 4   | 18                        |
| Duluth, Minn.       | 30                         | 27    | 2     | 1     | -    | -  | 2                         | Santa Cruz, Calif.    | 41                         | 34    | 6     | 1     | -    | -   | 4                         |
| Kansas City, Kans.  | 62                         | 47    | 10    | 2     | 2    | 1  | 4                         | Seattle, Wash.        | 144                        | 105   | 28    | 8     | 3    | -   | 15                        |
| Kansas City, Mo.    | 103                        | 73    | 20    | 6     | 3    | 1  | 5                         | Spokane, Wash.        | 57                         | 45    | 11    | -     | 1    | -   | 7                         |
| Lincoln, Nebr.      | U                          | U     | U     | U     | U    | U  | U                         | Tacoma, Wash.         | 119                        | 102   | 12    | 1     | 4    | -   | 10                        |
| Minneapolis, Minn.  | 148                        | 100   | 31    | 8     | 3    | 6  | 8                         | TOTAL                 | 11,601 <sup>§</sup>        | 8,086 | 2,263 | 755   | 252  | 237 | 853                       |
| Omaha, Nebr.        | 120                        | 73    | 21    | 12    | 10   | 4  | 4                         |                       |                            |       |       |       |      |     |                           |
| St. Louis, Mo.      | U                          | U     | U     | U     | U    | U  | U                         |                       |                            |       |       |       |      |     |                           |
| St. Paul, Minn.     | 80                         | 62    | 15    | 3     | -    | -  | 4                         |                       |                            |       |       |       |      |     |                           |
| Wichita, Kans.      | 102                        | 67    | 23    | 3     | 3    | 6  | 10                        |                       |                            |       |       |       |      |     |                           |

U: Unavailable. --:No reported cases.

\*Mortality data in this table are voluntarily reported from 122 cities in the United States, most of which have populations of ≥100,000. A death is reported by the place of its occurrence and by the week that the death certificate was filed. Fetal deaths are not included.

<sup>†</sup>Pneumonia and influenza.

<sup>§</sup>Because of changes in reporting methods in this Pennsylvania city, these numbers are partial counts for the current week. Complete counts will be available in 4 to 6 weeks.

<sup>¶</sup>Total includes unknown ages.

*Global Poliomyelitis — Continued*

with AFP. Uttar Pradesh and Bihar in northern India remain the foci of poliovirus transmission along with a few scattered areas. During 2000, each campaign that targeted the  $\geq 15$  presumed virus reservoir outside northern India involved vaccinating approximately 1 million children aged  $< 5$  years. Despite improved surveillance, one wild poliovirus-associated case was reported in Bangladesh near Dhaka. However, virus sequence information suggested that transmission may not have been detected earlier in 2000. Myanmar reported two confirmed wild poliovirus cases near the border with Bangladesh, and Nepal reported four cases from its border with Uttar Pradesh and Bihar, India.

*Reported by: Vaccines and Biologicals Div, World Health Organization, Geneva, Switzerland. Enteric and Respiratory Viruses Br, Div of Viral and Rickettsial Diseases, National Center for Infectious Diseases; Vaccine Preventable Disease Eradication Div, National Immunization Program, CDC.*

**Editorial Note:** Progress toward interrupting wild poliovirus transmission, particularly in India, the largest country where polio is endemic, underscores the feasibility of eradication. The goal of interrupting transmission globally by the end of 2000 could not be achieved for several reasons, including delayed implementation of the polio eradication strategies in some regions, difficulties in accessing populations in war-torn countries, and slow progress toward raising the quality of both supplemental vaccination and surveillance.

During 2000, progress toward eradication included a 60% decline in reported cases globally within 1 year, the certification of the Western Pacific as polio-free, the acceleration of activities in Africa as indicated by the 16 West African countries conducting synchronized national campaigns in the fall of 2000, and the public commitment to a polio-free world by international leaders and polio partners at the polio summit at the United Nations in September 2000.

Challenges during 2000 included poliovirus importations from countries where polio is endemic to polio-free areas, which demonstrated the fragility of polio-free status and highlighted the importance of maintaining high polio vaccination coverage and certification-standard surveillance. The 17 deaths in Cape Verde associated with poliovirus imported from Angola underscore the severity of poliovirus infection even in areas that have been polio-free for years and the risk for transmission if population immunity is not maintained. On Hispaniola Island, the outbreak of vaccine-derived poliovirus would not have occurred had the population been vaccinated adequately; the outbreak confirms the need to maintain high vaccination coverage and sensitive AFP surveillance for early detection of and response to such outbreaks.

During 2001, the major objective of the eradication process is to continue vaccination activities in countries where polio is endemic, including war-torn areas. Success will depend on negotiated cease-fires during vaccination rounds, enhanced access to all children, and the continued support of external partners<sup>†</sup>.

*References*

1. World Health Assembly. Polio eradication by the year 2000. Resolutions of the 41st World Health Assembly. Geneva, Switzerland: World Health Organization, 1988 (Resolution 41.28).
2. Department of Vaccines and Biologicals. The polio eradication initiative: strategic plan of action, 2001–2005. Geneva, Switzerland: World Health Organization, 2000 (Document 00.05).
3. CDC. Apparent global interruption of wild poliovirus type 2 transmission. *MMWR* 2001;50:222–4.
4. CDC. Outbreak of poliomyelitis—Dominican Republic and Haiti, 2000. *MMWR* 2000;49:1094, 1103.
5. CDC. Outbreak of poliomyelitis—Dominican Republic and Haiti, 2000. *MMWR* 2001;50:147–8.
6. CDC. Outbreak of poliomyelitis—Cape Verde Islands, 2000. *MMWR* 2000;49:1070.

<sup>†</sup> Includes polio-free countries and countries where polio is endemic, WHO, Rotary International, United Nations Children's Fund (UNICEF), CDC, other bilateral and multilateral partners, and private foundations.

The *Morbidity and Mortality Weekly Report (MMWR)* Series is prepared by the Centers for Disease Control and Prevention (CDC) and is available free of charge in electronic format and on a paid subscription basis for paper copy. To receive an electronic copy on Friday of each week, send an e-mail message to [listserv@listserv.cdc.gov](mailto:listserv@listserv.cdc.gov). The body content should read *SUBscribe mmwr-toc*. Electronic copy also is available from CDC's World-Wide Web server at <http://www.cdc.gov/mmwr> or from CDC's file transfer protocol server at <ftp://ftp.cdc.gov/pub/Publications/mmwr>. To subscribe for paper copy, contact Superintendent of Documents, U.S. Government Printing Office, Washington, DC 20402; telephone (202) 512-1800.

Data in the weekly *MMWR* are provisional, based on weekly reports to CDC by state health departments. The reporting week concludes at close of business on Friday; compiled data on a national basis are officially released to the public on the following Friday. Address inquiries about the *MMWR* Series, including material to be considered for publication, to: Editor, *MMWR* Series, Mailstop C-08, CDC, 1600 Clifton Rd., N.E., Atlanta, GA 30333; telephone (888) 232-3228.

All material in the *MMWR* Series is in the public domain and may be used and reprinted without permission; citation as to source, however, is appreciated.

|   |  |   |
|---|--|---|
| Director, Centers for Disease Control and Prevention<br>Jeffrey P. Koplan, M.D., M.P.H.                             | Director, Epidemiology Program Office<br>Stephen B. Thacker, M.D., M.Sc.   | Writers-Editors, <i>MMWR</i> (Weekly)<br>Jill Crane<br>David C. Johnson |
| Deputy Director for Science and Public Health, Centers for Disease Control and Prevention<br>David W. Fleming, M.D. | Editor, <i>MMWR</i> Series<br>John W. Ward, M.D.<br>Acting Managing Editor, <i>MMWR</i> (Weekly)<br>Teresa F. Rutledge | Desktop Publishing<br>Lynda G. Cupell<br>Morie M. Higgins               |

---

☆U.S. Government Printing Office: 2001-633-173/48225 Region IV

---